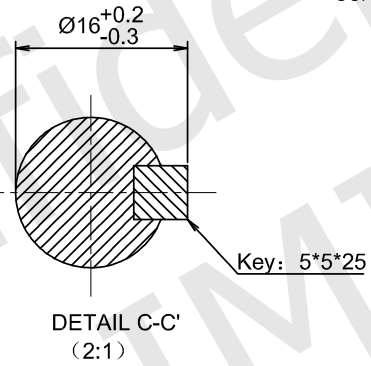
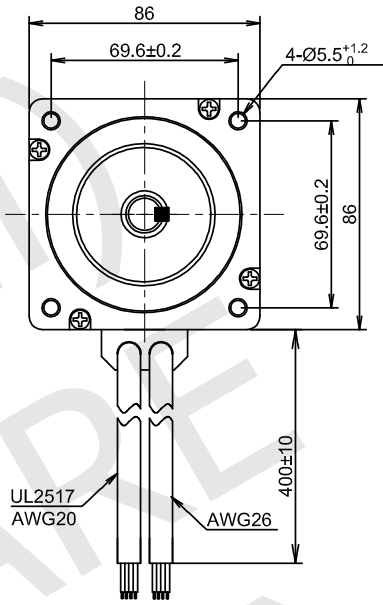
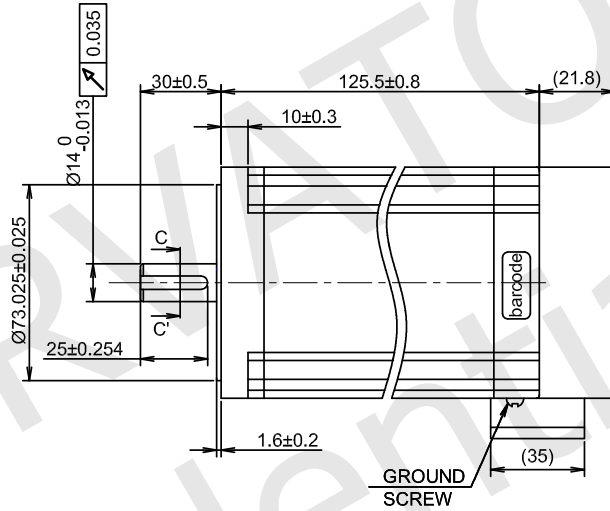
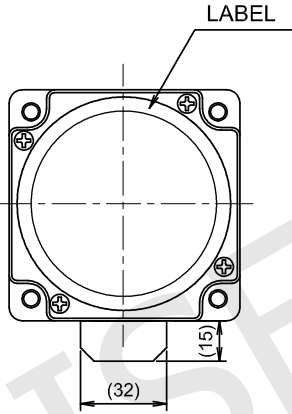
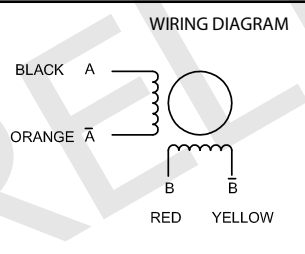


RoHS



| ENCODER SPECIFICATIONS | |
|------------------------|----------------------------|
| ENCODER TYPE | Incremental quadrature |
| POWER SUPPLY | 5.00 Vdc |
| RESOLUTION | 1000 ppr |
| OUTPUT TYPE | Line driver |
| MOTOR SPECIFICATIONS | |
| STEP ANGLE | 1.8° ±5% |
| RATED CURRENT | 4.00 Amps/Ph |
| HOLDING TORQUE | 10.00 Nm Min. |
| RESISTANCE | 1.20 ohm ±10% at 25°C |
| INDUCTANCE | 11.00 mH ±20% |
| ROTOR INERTIA | 4000 g.cm ² |
| INSULATION CLASS | Class F, 155°C |
| DIELECTRIC STRENGTH | 1500 Vac 1 minute |
| IP CODE | IP40 |
| PULL OUT TORQUE | --- |
| BACK EMF | --- |
| DETENT TORQUE | --- |
| WEIGHT | 4250 g. approx |
| TEMPERATURE RISE | 105K Max. |
| OPERATING TEMPERATURE | -20°C ~ +50°C |
| STORAGE TEMPERATURE | -20°C ~ +70°C |
| SHAFT AXIAL LOAD | 60 N |
| SHAFT RADIAL LOAD | 220 N (ON FRONT SHAFT END) |



| ENCODER LEADWIRE COLOR | OUTPUT |
|------------------------|--------|
| RED | VDC |
| BLACK | GND |
| BLUE | A |
| BLUE/WHITE | A/ |
| ORANGE | B |
| ORANGE/WHITE | B/ |
| GREEN | Z |
| GREEN/WHITE | Z/ |

EXCITING SEQUENCE (TWO PHASES) VS. DIRECTION OF ROTATION

| STEP | A | B | Ā | B̄ |
|------|---|---|----|----|
| 1 | + | + | - | - |
| 2 | - | + | + | - |
| 3 | - | - | + | + |
| 4 | + | - | - | + |

CLOCK WISE VIEW FROM MOUNTING SIDE

LABELS

YYWWXXXXX (25 x 8)
Stator barcode label

| | | |
|---------------------------------------|----------|----------------|
| UNIT: mm | DESIGN | Stm02410-00a |
| UNLESS OTHERWISE SPECIFIED TOLERANCES | CHECK | |
| DIMENSIONS : ±0.3mm DEGREES : ±5% | APPROVED | |
| DRAWING NOT TO SCALE | DATE | 04 / 01 / 2022 |

MT34HE50040E4VK
STEPPING MOTOR SPECIFICATION

| | |
|-----|----------------------|
| REV | 00a - First release. |
| | |
| | |
| | |