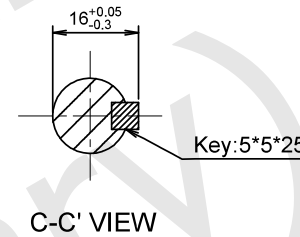
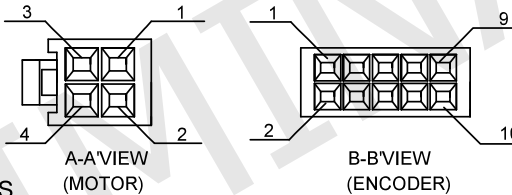
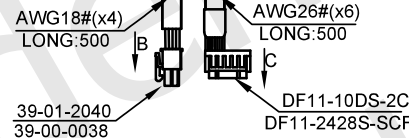
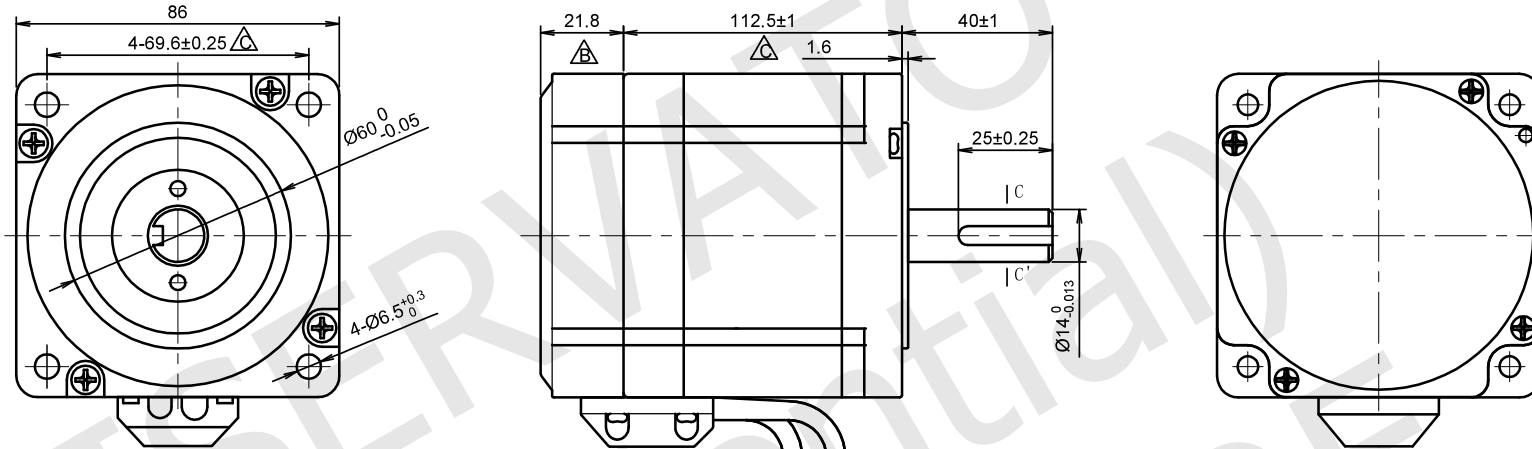


RoHS



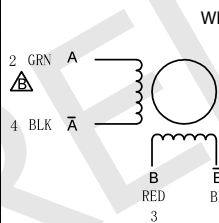
ENCODER SPECIFICATIONS

ENCODER TYPE	Incremental
POWER SUPPLY	5.00 Vdc
RESOLUTION	1000 ppr
OUTPUT TYPE	Line driver

MOTOR SPECIFICATIONS

STEP ANGLE	1.8° ±5%
RATED CURRENT	6.00 Amps/Ph
HOLDING TORQUE	8.20 Nm Min.
RESISTANCE	0.54 ohm ±10% at 25°C
INDUCTANCE	5.20 mH ±20% at 1kHz, 1 Vrms
ROTOR INERTIA	3600 g.cm ²
INSULATION CLASS	Class B, 130°C
DIELECTRIC STRENGTH	750 Vac 1 minute
IP CODE	IP20
PULL OUT TORQUE	---
BACK EMF	---
DETENT TORQUE	---
WEIGHT	3600 g. approx
TEMPERATURE RISE	80K Max.
OPERATING TEMPERATURE	-20°C ~ +50°C
STORAGE TEMPERATURE	-20°C ~ +70°C
SHAFT AXIAL LOAD	60 N
SHAFT RADIAL LOAD	220 N (ON FRONT SHAFT END)

NOTE: BLACK ENDBELLS



WIRING DIAGRAM

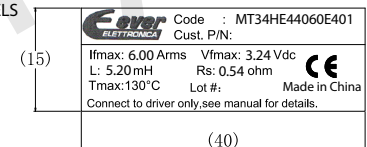
ENCODER CONNECTION	PIN NO.	
BLK	GND	10
RED	+5V	9
BLU/WHT	A/	8
BLU	A	7
ORG/WHT	B/	6
ORG	B	5

EXCITING SEQUENCE(TWO PHASES) VS.DIRECTION OF ROTATION

STEP	A	B	\bar{A}	\bar{B}	
1	+	+	-	-	CCW
2	-	+	+	-	
3	-	-	+	+	
4	+	-	-	+	

CLOCK WISE VIEW FROM MOUNTING SIDE

LABELS



YYWWXXXX (25 x 8)
Stator barcode label

UNIT: mm
UNLESS OTHERWISE SPECIFIED TOLERANCES
DIMENSIONS : ±0.3 mm DEGREES : ±5%
ORTHOGRAPHIC PROJECTION

DESIGN	Stm02451-00c
CHECK	
APPROVED	
DATE	04 / 07 / 2022

MT34HE44060E401
STEPPING MOTOR SPECIFICATION



www.everelectronica.it

REV

- 00b - First release.
- 00c - Modify the motor length and the winding parameters.