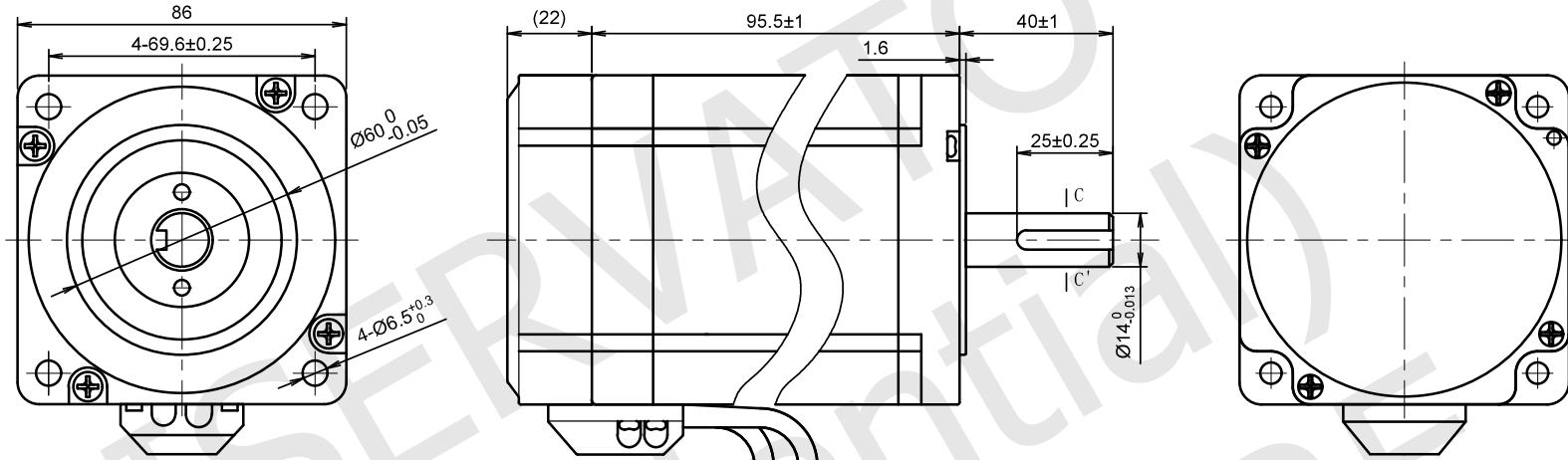
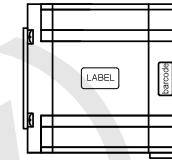
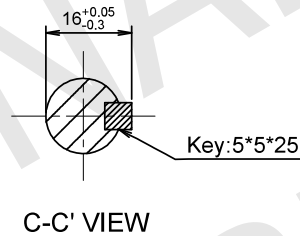
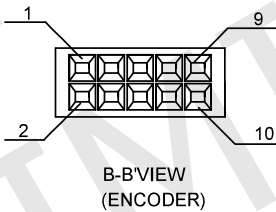
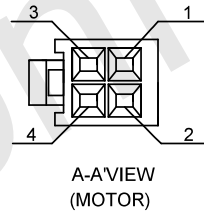


RoHS



AWG18#(x4) LONG:500
 AWG26#(x6) LONG:500
 39-01-2040
 39-00-0038
 DF11-10DS-2C
 DF11-2428S-SCF



NOTE: BLACK ENDBELLS

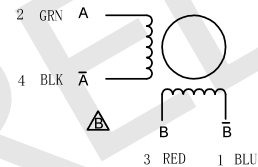
ENCODER SPECIFICATIONS

ENCODER TYPE	Incremental quadrature
POWER SUPPLY	5.00 Vdc
RESOLUTION	1000 ppr
OUTPUT TYPE	Line driver

MOTOR SPECIFICATIONS

STEP ANGLE	1.8° ±5%
RATED CURRENT	6.00 Amps/Ph
HOLDING TORQUE	7.00 Nm Min.
RESISTANCE	0.46 ohm ±10% at 25°C
INDUCTANCE	3.80 mH ±20% at 1kHz, 1 Vrms
ROTOR INERTIA	2800 g.cm ²
INSULATION CLASS	Class B, 130°C
DIELECTRIC STRENGTH	750 Vac 1 minute
IP CODE	IP40
PULL OUT TORQUE	---

WIRING DIAGRAM



ENCODER		
PIN NO.	LEAD WIRES	FUNCTION
10	BLK	GND
9	RED	+5V
8	BLU/WHT	A/
7	BLU	A
6	ORG/WHT	B/
5	ORG	B

EXCITING SEQUENCE(TWO PHASES) VS.DIRECTION OF ROTATION

STEP	DIRECTION OF ROTATION			
	A	B	A-bar	B-bar
1	+	+	-	-
2	-	+	+	-
3	-	-	+	+
4	+	-	-	+

CW (down arrow) CCW (up arrow)

CLOCK WISE VIEW FROM MOUNTING SIDE

LABELS

(15)

Code : MT34HE38060E404
 Cust. P/N:
 Ifmax: 6.00 Arms Vfmax: 2.76 Vdc
 L: 3.80 mH Rs: 0.46 ohm
 Tmax:130°C Lot #:
 Connect to driver only,see manual for details.
 Made in China

YYWWXXXXX (25 x 8)
 Stator barcode label

BACK EMF	---
DETENT TORQUE	---
WEIGHT	2900 g. approx
TEMPERATURE RISE	80K Max.
OPERATING TEMPERATURE	-20°C ~ +50°C
STORAGE TEMPERATURE	-20°C ~ +70°C
SHAFT AXIAL LOAD	60 N
SHAFT RADIAL LOAD	220 N (ON FRONT SHAFT END)

UNIT: mm
 UNLESS OTHERWISE SPECIFIED TOLERANCES
 DIMENSIONS : ±0.3 mm DEGREES : ±5%
 ORTHOGRAPHIC PROJECTION

REV

00a - First release.

DESIGN	Stm02505-00a
CHECK	
APPROVED	
DATE	19 / 07 / 2022

DRAWING NOT TO SCALE

MT34HE38060E404
 STEPPING MOTOR SPECIFICATION

Ever
 ELETRONICA
 the clever drive

www.everelettronica.it