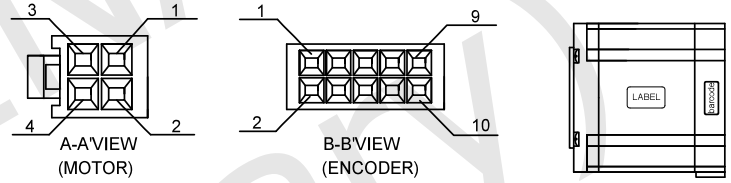
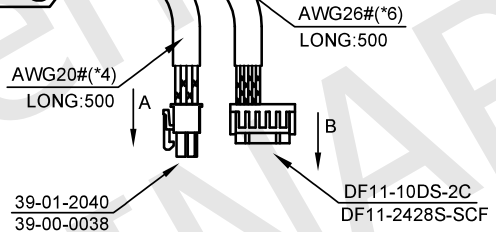
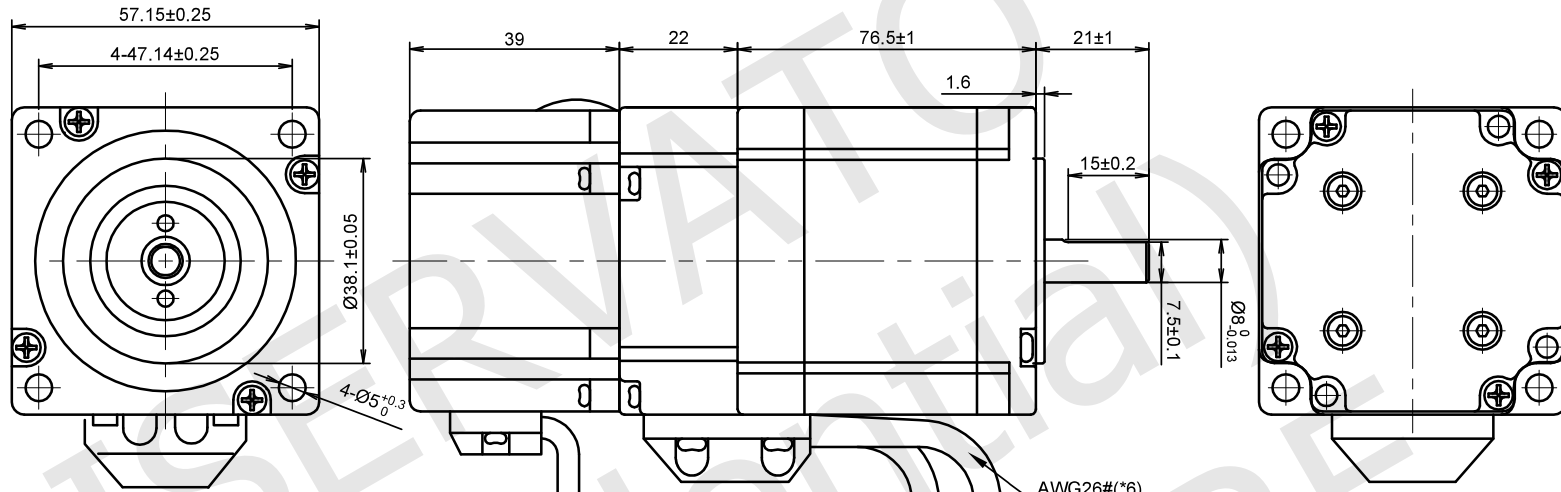


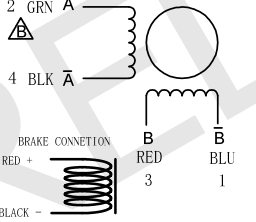
RoHS



NOTE: BLACK ENDBELLS

SPECIFICATIONS	
POWER SUPPLY	24.00 Vdc
BRAKING FORCE	2.0 Nm
ENCODER SPECIFICATIONS	
POWER SUPPLY	5.00 Vdc
RESOLUTION	1000 ppr
OUTPUT TYPE	Line driver
MOTOR SPECIFICATIONS	
STEP ANGLE	1.8° ±5%
RATED CURRENT	5.00 Amps/Ph
HOLDING TORQUE	2.00 Nm Min.
RESISTANCE	0.38 ohm ±0.1 at 25°C
INDUCTANCE	1.70 mH ±20% at 1kHz, 1 Vrms
ROTOR INERTIA	480 g.cm <sup>2</sup>
INSULATION CLASS	Class B, 130°C
DIELECTRIC STRENGTH	500 Vac 1 minute
IP CODE	IP40
PULL OUT TORQUE	---
BACK EMF	---
DETENT TORQUE	---
WEIGHT	1000 g. approx
TEMPERATURE RISE	80K Max.
OPERATING TEMPERATURE	-20°C ~ +50°C
STORAGE TEMPERATURE	-20°C ~ +70°C
SHAFT AXIAL LOAD	15 N
SHAFT RADIAL LOAD	75 N (ON FRONT SHAFT END)

WIRING DIAGRAM



ENCODER CONNECTION	PIN NO.
BLK	GND 10
RED	+5V 9
BLU/WHIT	A/ 8
BLU	A 7
ORG/WHIT	B/ 6
ORG	B 5

EXCITING SEQUENCE (TWO PHASES) VS. DIRECTION OF ROTATION

STEP	A	B	A-bar	B-bar	
1	+	+	-	-	CCW ↑
2	-	+	+	-	
3	-	-	+	+	
4	+	-	-	+	

CLOCK WISE VIEW FROM MOUNTING SIDE

LABELS

Code : MT23HE31050H401  
Cust. P/N:

Ifmax: 5.00 Arms Vmax: 1.90 Vdc  
L: 1.70mH Rs: 0.38 ohm  
Tmax:130°C Lot #: Made in China  
Connect to driver only, see manual for details.

(15)

YYWWXXXXX (25 x 8)

Stator barcode label

UNIT: mm	DESIGN	Stm02448-00b
UNLESS OTHERWISE SPECIFIED TOLERANCES	CHECK	
DIMENSIONS : ±0.3 mm DEGREES : ±5%	APPROVED	
ORTHOGRAPHIC PROJECTION	DATE	03 / 03 / 2022

MT23HE31050H401  
STEPPING MOTOR SPECIFICATION



REV	00b - First release.