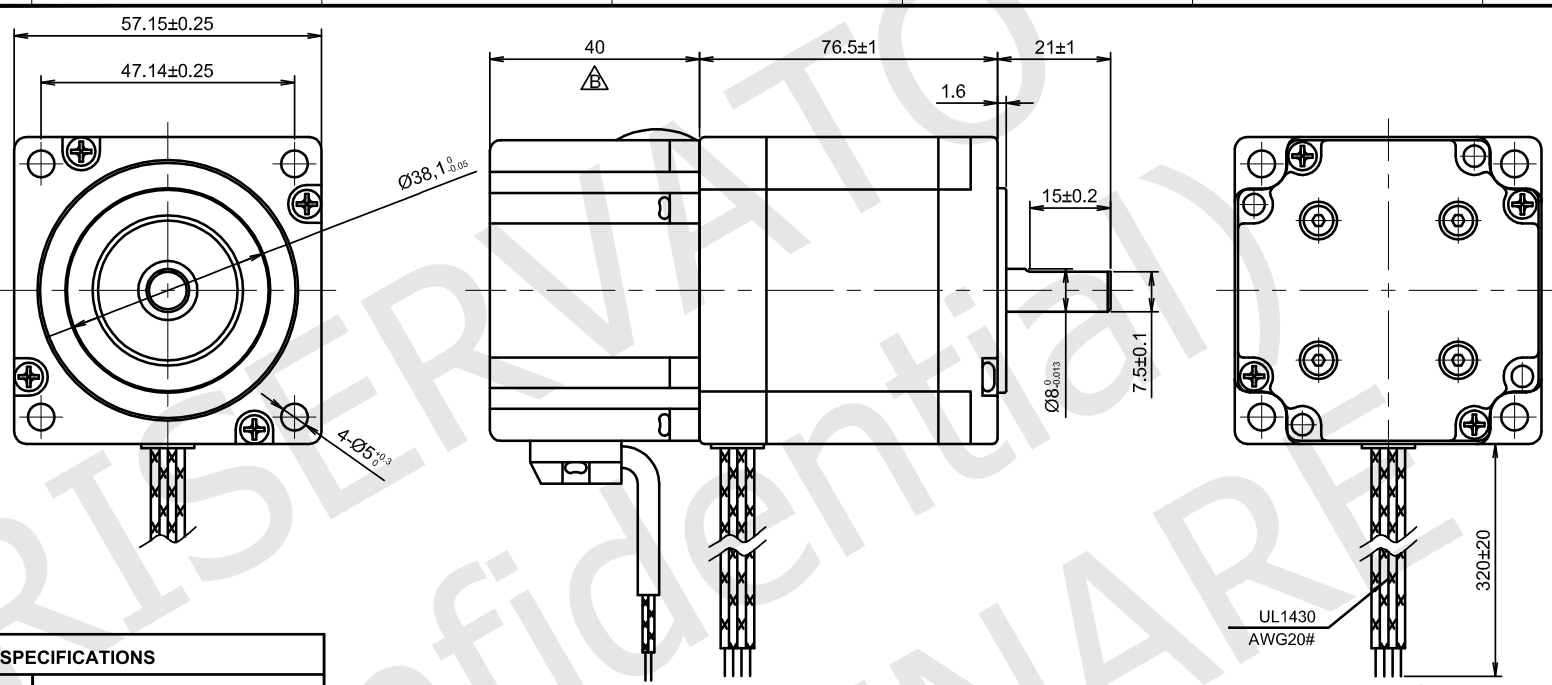
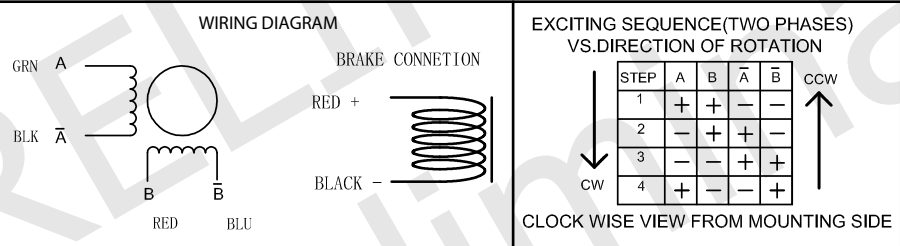


RoHS



BRAKE SPECIFICATIONS	
POWER SUPPLY	24 Vdc
BRAKING FORCE	2.00 Nm
MOTOR SPECIFICATIONS	
STEP ANGLE	1.8° ±5%
RATED CURRENT	5.00 Amps/Ph
HOLDING TORQUE	2.00 Nm Min.
RESISTANCE	0.40 ohm ±0.1 at 25°C
INDUCTANCE	1.80 mH ±20% at 1kHz, 1 Vrms
ROTOR INERTIA	480 g.cm ²
INSULATION CLASS	Class B, 130°C
DIELECTRIC STRENGTH	500 Vac 1 minute
IP CODE	IP40
PULL OUT TORQUE	---
BACK EMF	---
DETENT TORQUE	---
WEIGHT	1000 g. approx
TEMPERATURE RISE	80K Max.
OPERATING TEMPERATURE	-20°C ~ +50°C
STORAGE TEMPERATURE	-20°C ~ +70°C
SHAFT AXIAL LOAD	15 N
SHAFT RADIAL LOAD	75 N (ON FRONT SHAFT END)

NOTE: BLACK ENDBELLS



LABELS

Ever Code : MT23HE31050F401
ELETTRONICA Cust. P/N:

I_{max}: 5.00 Arms V_{max}: 2.00Vdc
L: 1.80 mH Rs: 0.40 ohm **CE**
T_{max}: 130°C Lot #: Made in China
Connect to driver only, see manual for details.

(15)

YYWWXXXXX (25 x 8)
Stator barcode label

UNIT: mm	DESIGN	Stm02447-00b
UNLESS OTHERWISE SPECIFIED TOLERANCES	CHECK	
DIMENSIONS : ±0.3 mm DEGREES : ±5%	APPROVED	
ORTHOGRAPHIC PROJECTION	DATE	03 / 03 / 2022

MT23HE31050F401
STEPPING MOTOR SPECIFICATION



REV	00b - First release.