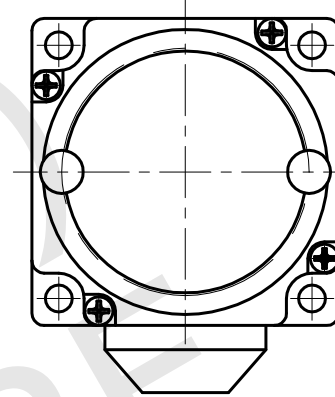
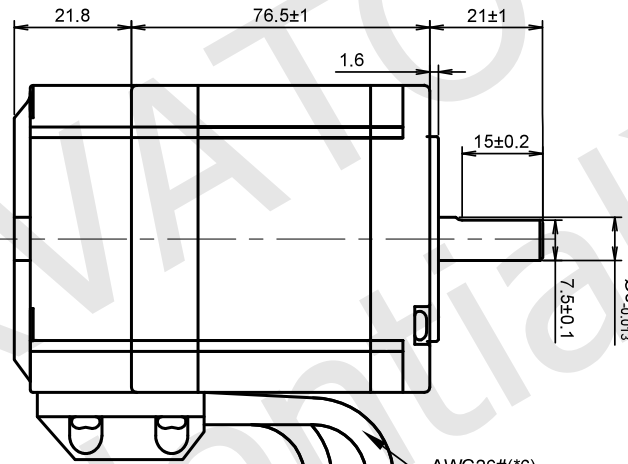
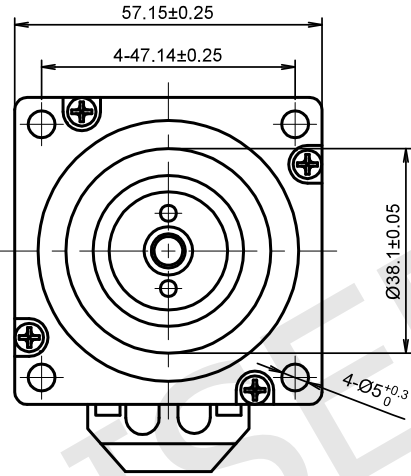


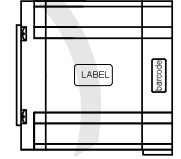
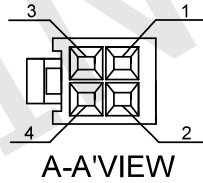
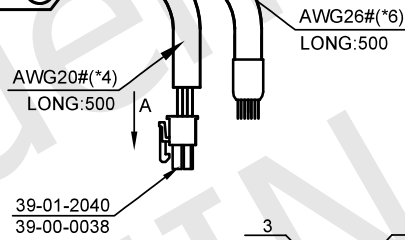
RoHS



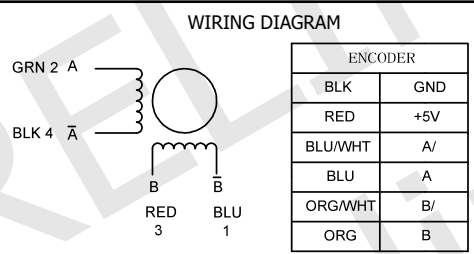
ENCODER SPECIFICATIONS	
ENCODER TYPE	Incremental quadrature
POWER SUPPLY	5.00 Vdc
RESOLUTION	1000 ppr
OUTPUT TYPE	Line Driver

MOTOR SPECIFICATIONS	
STEP ANGLE	1.8° ±5%
RATED CURRENT	5.00 Amps/Ph
HOLDING TORQUE	2.00 Nm Min.

RESISTANCE	0.40 ohm ±0.1 at 25°C
INDUCTANCE	1.70 mH ±20% at 1kHz, 1 Vrms
ROTOR INERTIA	520 g.cm ²
INSULATION CLASS	Class B, 130°C
DIELECTRIC STRENGTH	500 Vac 1 minute
IP CODE	IP40
PULL OUT TORQUE	---
BACK EMF	---
DETENT TORQUE	---
WEIGHT	1300 g. approx
TEMPERATURE RISE	80K Max.
OPERATING TEMPERATURE	-20°C ~ +50°C
STORAGE TEMPERATURE	-20°C ~ +70°C
SHAFT AXIAL LOAD	15 N
SHAFT RADIAL LOAD	75 N (ON FRONT SHAFT END)



NOTE: BLACK ENDBELLS



EXCITING SEQUENCE(TWO PHASES) VS.DIRECTION OF ROTATION

STEP	A	B	Ā	B̄	
1	+	+	-	-	CW ↓ CCW ↑
2	-	+	+	-	
3	-	-	+	+	
4	+	-	-	+	

CLOCK WISE VIEW FROM MOUNTING SIDE

LABELS

(15)

(40)

YYWWXXXXX (25 x 8)

Stator barcode label

UNIT: mm	DESIGN	Stm02341-00a
UNLESS OTHERWISE SPECIFIED TOLERANCES	CHECK	
DIMENSIONS ±0.3 mm DEGREES ±5%	APPROVED	
DRAWING NOT TO SCALE	DATE	03 / 08 / 2021

MT23HE31050E402
STEPPING MOTOR SPECIFICATION



REV	DESCRIPTION
00a	First release.