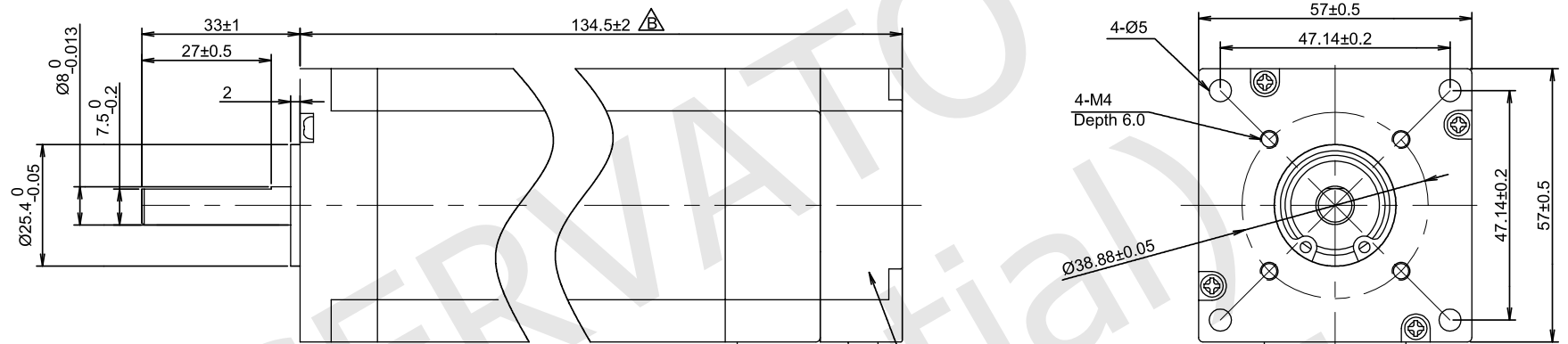


RoHS

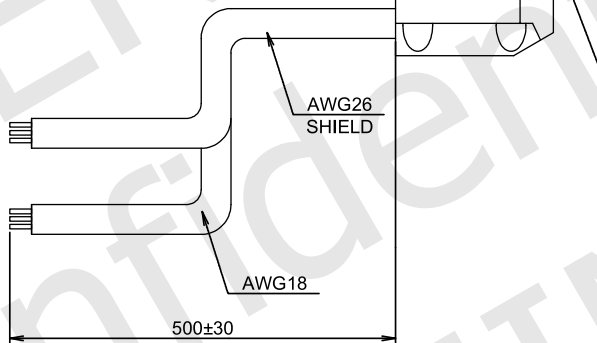


**ENCODER SPECIFICATIONS**

ENCODER TYPE	Incremental quadrature
POWER SUPPLY	5 Vdc
RESOLUTION	1000cpr
OUTPUT TYPE	Line Driver

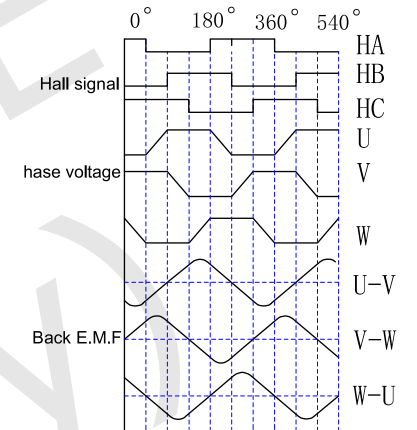
**MOTOR SPECIFICATIONS**

APPLIED VOLTAGE	36 Vdc
PHASES	3
POLES	8
OUTPUT POWER	188 W
RATED CURRENT	7.50 A ±1.0
NO LOAD CURRENT	0.65 A ±0.2
RATED TORQUE	0.60 Nm
PEAK TORQUE	1.50 Nm
RATED SPEED	3000 rpm ±10%
NO LOAD SPEED	4400 rpm ±10%
BACK EMF	5.70 Vrms/Krpm ±10%
ROTOR INERTIA	460 g.cm <sup>2</sup>
TEMPERATURE RISE	80K max
TORQUE CONSTANT	0.08 Nm/A



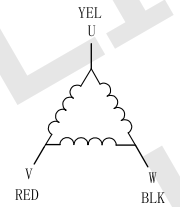
ENCODER resolution:1000CPR

CCW from shaft side



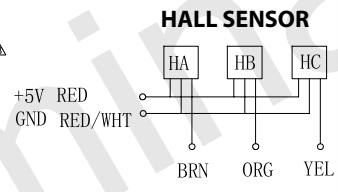
**WIRING DIAGRAM**

MOTOR	
YEL	U
RED	V
BLK	W

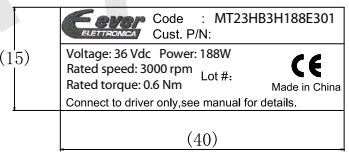


**ENCODER**

YEL	U
RED	V
BLK	W
RED/WHT	GND
RED	Vcc(5v)
BLU	EA-
BLU/BLK	EA+
BLK	EB-
BLK/WHT	EB+
BRN	HA
ORG	HB
YEL	HC



**LABELS**



YYWWXXXX (25 x 8)  
Stator barcode label

LINE TO LINE RESISTANCE	0.53 ohm ±10% at 20°C
LINE TO LINE INDUCTANCE	0.58 mH ±20% at 1kHz, 1Vrms
DIELECTRIC STRENGTH	---
INSULATION RESISTANCE	---
INSULATION CLASS	Class B, 130°C
OPERATING TEMPERATURE	-20°C ~ +40°C
WEIGHT	1800 g. approx
IP CODE	IP20

UNIT: mm  
UNLESS OTHERWISE SPECIFIED TOLERANCES  
DIMENSIONS : ±0.3 mm DEGREES : ±5%

DESIGN	Stm02008-00b
CHECK	
APPROVED	
DATE	18 / 05 / 2020

**MT23HB3H188E301**  
DC BRUSHLESS MOTOR SPECIFICATION

REV	Description
00a	Description
00b	Modified the motor length and changed the encoder lead wires colours.

