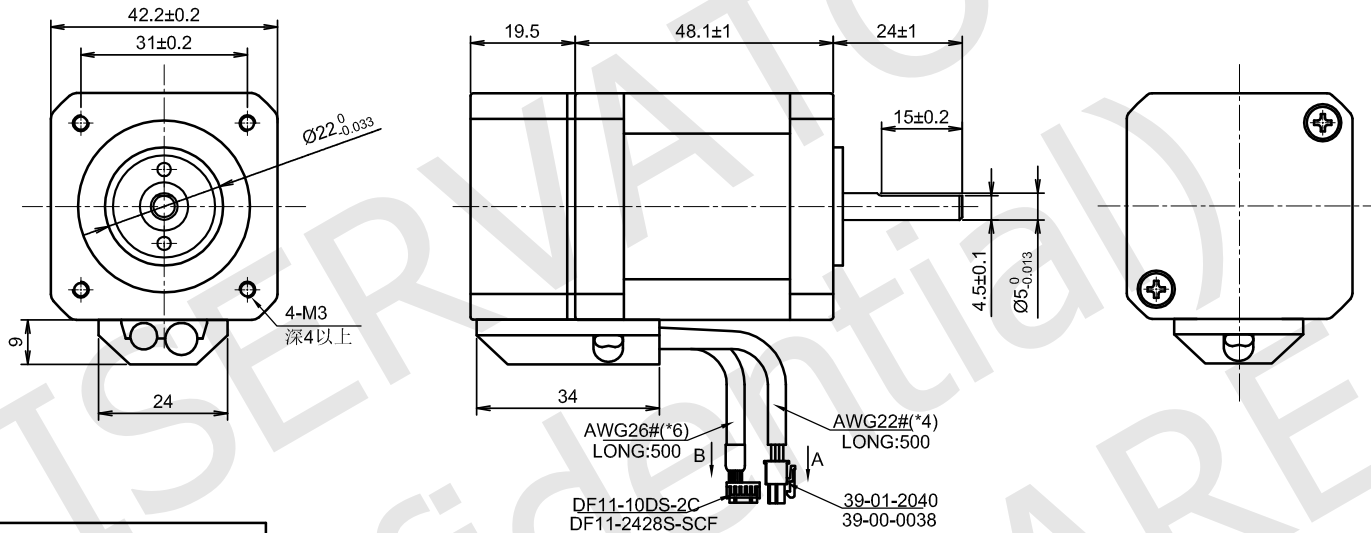


RoHS



ENCODER SPECIFICATIONS

RESOLUTION	1000ppr
POWER SUPPLY	5 Vdc
OUTPUT TYPE	line driver

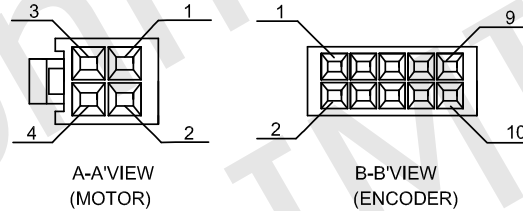
MOTOR SPECIFICATIONS

STEP ANGLE	1.8° ±5%
RATED CURRENT	2.00 Amps/Ph
HOLDING TORQUE	0.48 Nm Min.

RESISTANCE	1.35 ohm ±10% at 25°C
INDUCTANCE	2.80 mH ±20% at 1kHz, 1Vrms
ROTOR INERTIA	77 g.cm ²
INSULATION CLASS	Class B, 130°C
DIELECTRIC STRENGTH	500 Vac 1 minute
IP CODE	IP40
PULL OUT TORQUE	---

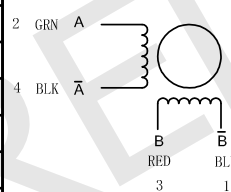
BACK EMF	---
DETENT TORQUE	---
WEIGHT	360 g. approx

TEMPERATURE RISE	80K Max.
OPERATING TEMPERATURE	-20°C ~ +50°C
STORAGE TEMPERATURE	-20°C ~ +70°C
SHAFT AXIAL LOAD	15 N
SHAFT RADIAL LOAD	75 N (ON THE SHAFT END)



NOTE: BLACK ENDBELLS

WIRING DIAGRAM



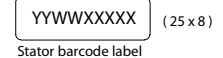
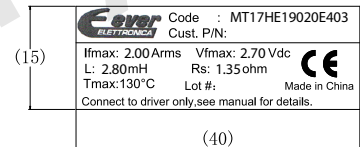
ENCODER CONNECTION	PIN NO.
BLK GND	10
RED +5V	9
BLU/WHT A/	8
BLU A	7
ORG/WHT B/	6
ORG B	5

EXCITING SEQUENCE(TWO PHASES) VS.DIRECTION OF ROTATION

STEP	A	B	Ā	B̄
1	+	+	-	-
2	-	+	+	-
3	-	-	+	+
4	+	-	-	+

CLOCK WISE VIEW FROM MOUNTING SIDE

LABELS



UNIT: mm
UNLESS OTHERWISE SPECIFIED TOLERANCES
DIMENSIONS : ±0.3 mm DEGREES : ±5%
ORTHOGRAPHIC PROJECTION

DESIGN	Stm02445-00b
CHECK	
APPROVED	
DATE	02 / 03 / 2022

REV

00b - First release.

MT17HE19020E403
STEPPING MOTOR SPECIFICATION



www.everelectronica.it