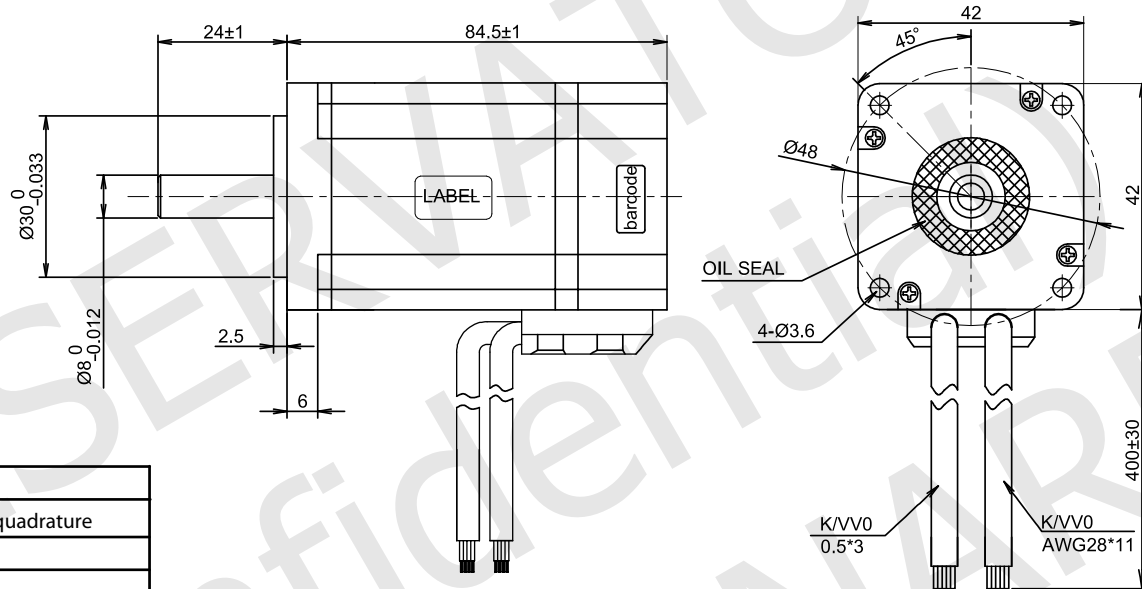
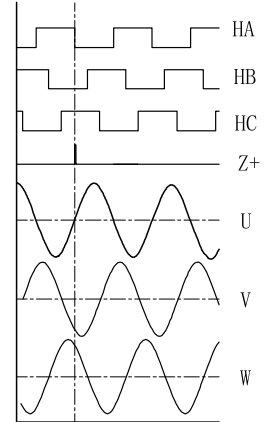


RoHS

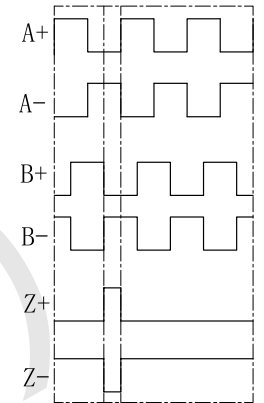


Hall signal



Back E.M.F

ENCODER SIGNAL



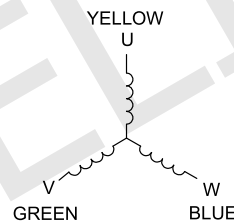
ENCODER SPECIFICATIONS

ENCODER TYPE	Incremental quadrature
POWER SUPPLY	5.00 Vdc
RESOLUTION	1024 ppr
OUTPUT TYPE	Line Driver

MOTOR SPECIFICATIONS

RATED VOLTAGE	24 Vdc
PHASES	3
POLES PAIRS	5
RATED CURRENT	4.5 A
PEAK CURRENT	13.5 A
RATED POWER	70 W
RATED TORQUE	0.22 Nm
PEAK TORQUE	0.66 Nm
RATED SPEED	3000 rpm ±10%
NO LOAD SPEED	TBD rpm ±10%
INSULATION CLASS	Class B, 130°C
IP CODE	IP54

WIRING DIAGRAM



HALL AND ENCODER SIGNAL	
SIGNAL	COLOUR
GND	BLK
HALL C	ORG
HALL B	GRY
HALL A	BRN
Z	YEL
B	WHT
A	GRN
Z-	YEL/BLK
B-	WHT/BLK
A-	GRN/BLK
+5V	RED

LABELS

Code : MT17HB2H070E3L1
Cust. P/N:
Voltage: 24 Vdc Power: 70 W
Rated speed: 3000 rpm
Rated torque: 0.22 Nm Lot #:
Made in China
Connect to driver only, see manual for details.

YYWWXXXX (25 x 8)

Stator barcode label

LINE TO LINE RESISTANCE	TBD ohm ±10%
LINE TO LINE INDUCTANCE	TBD mH ±20%
ROTOR INERTIA	40 g.cm ²
BACK EMF	1.70 Vrms/Krpm
OPERATING TEMPERATURE	-20°C ~ +55°C
STORAGE TEMPERATURE	---
WEIGHT	400 g. approx
MAX SHAFT AXIAL LOAD	--- N
MAX SHAFT RADIAL LOAD	--- N

UNIT: mm	DESIGN	Stm02322-00b
UNLESS OTHERWISE SPECIFIED TOLERANCES	CHECK	
DIMENSIONS : ±0.3 mm DEGREES : ±5%	APPROVED	
DRAWING NOT TO SCALE	DATE	12 / 07 / 2021

REV

- 00a - First release.
- 00b - Fixed the parameters description.

MT17HB2H070E3L1
DC BRUSHLESS MOTOR SPECIFICATION



www.everelettronica.it