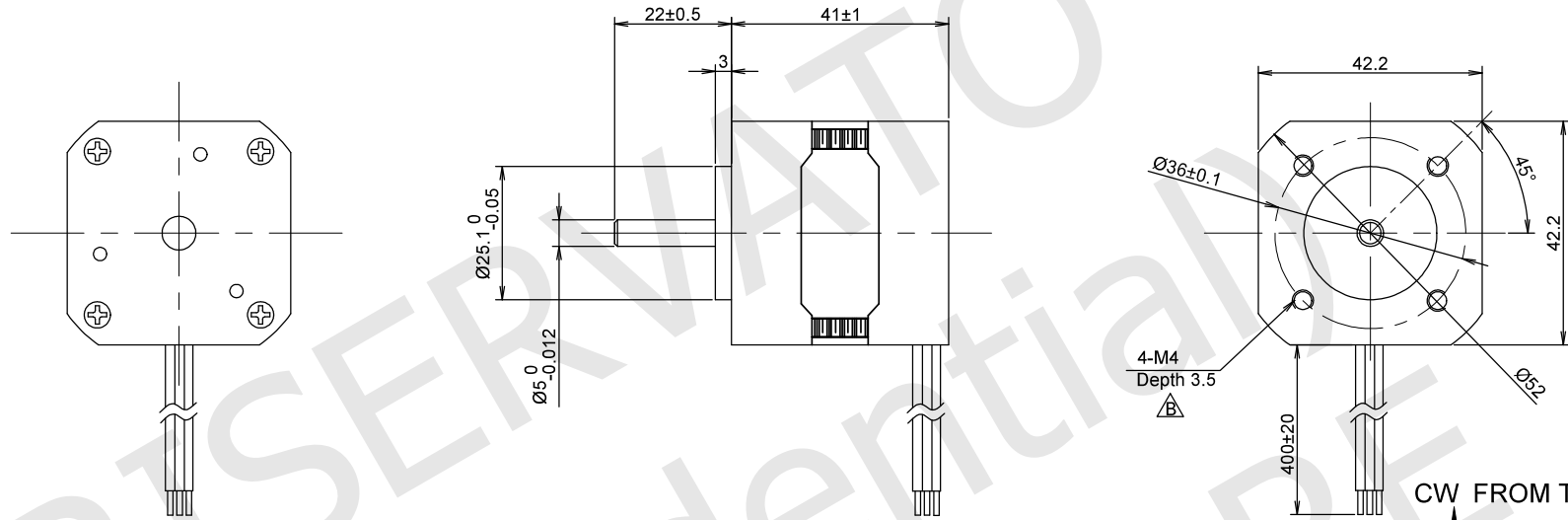
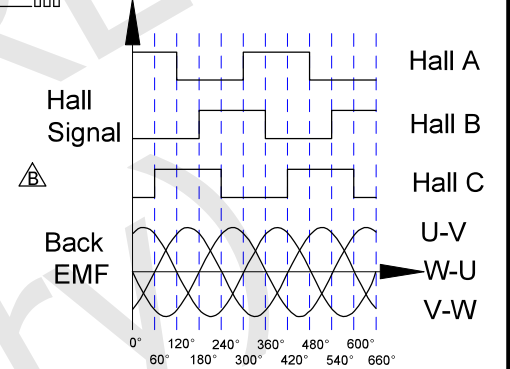


RoHS



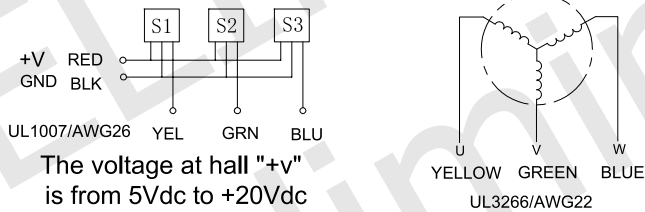
CW FROM THE FRONT SHAFT



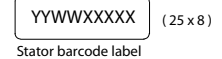
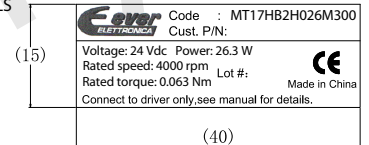
**MOTOR SPECIFICATIONS**

APPLIED VOLTAGE	24 Vdc
PHASES	3
POLES	8
RATED CURRENT	1.60 A
PEAK CURRENT	---
RATED POWER	26.30 W
RATED TORQUE	0.063 Nm
PEAK TORQUE	---
DIELECTRIC STRENGTH	600V@2mA/15
INSULATION CLASS	Class B, 130°C
RATED SPEED	4000 rpm ±10%
NOLOAD SPEED	5700 rpm
IP CODE	IP20
LINE TO LINE RESISTANCE $\Delta$	3.20 ohm ±10%
LINE TO LINE INDUCTANCE $\Delta$	2.50 mH ±20%
WEIGHT $\Delta$	250 g. approx
BACK E.M.F.	---
ROTOR INERTIA	---

**WIRING DIAGRAM**



**LABELS**



UNIT: mm	DESIGN	Stm01903-00b
UNLESS OTHERWISE SPECIFIED TOLERANCES	CHECK	
DIMENSIONS : ±0.3 mm DEGREES : ±5%	APPROVED	
DRAWING NOT TO SCALE	DATE	15 / 12 / 2022

REV

00a - First release.
00b - Add the BMF graph and resistance and inductance values as real motor.

**MT17HB2H026M300**  
DC BRUSHLESS MOTOR SPECIFICATION



www.everelettronica.it