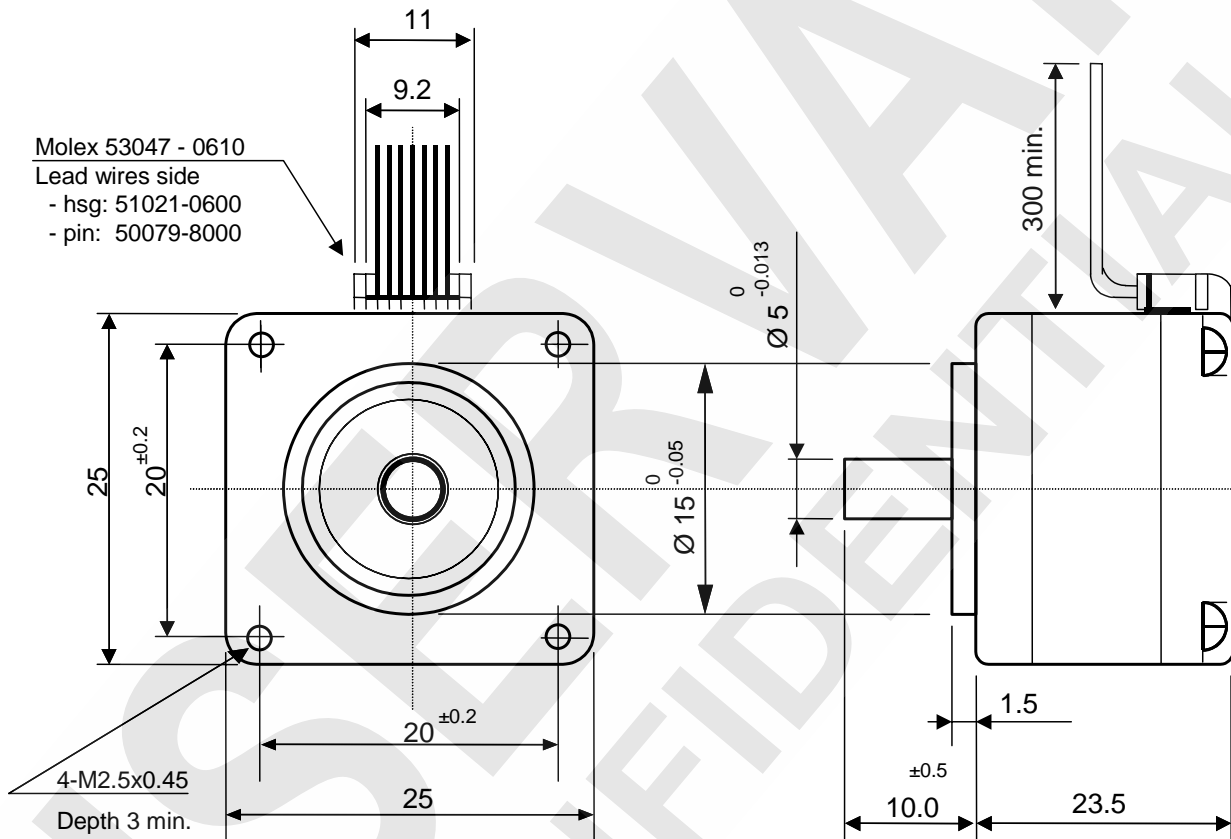


Motor Size	<b>1.0" – 25 mm square flange</b>	Step Angle	<b>1.8° ±5%</b>
Front Shaft	<b>10 mm length – Ø 5.0 mm</b>	Rear Shaft	<b>None</b>
# of Lead Wire	<b>4 Lead Wires</b>	Lead Wire Length	<b>300 mm</b>
Rated Voltage	<b>2.66 Volts</b>	Rated Current	<b>0.70 Amps/phase</b>
Resistance	<b>3.80 Ohm ±10%</b>	Inductance	<b>2.00 mH ±20%</b>
Winding	<b>Bipolar</b>	Holding Torque	<b>33 mNm min.</b>
Rotor inertia	<b>2 g.cm<sup>2</sup></b>	Detent torque	<b>2.0 mNm</b>



	SPECIFICA MOTORE: Stm00636	DATA: 24 febbraio 2009	APPROVAZIONE CLIENTE: _____
	CODICE MOTORE: MT10AP10007M4	CODICE COSTRUTTORE: 17PM-K202B	