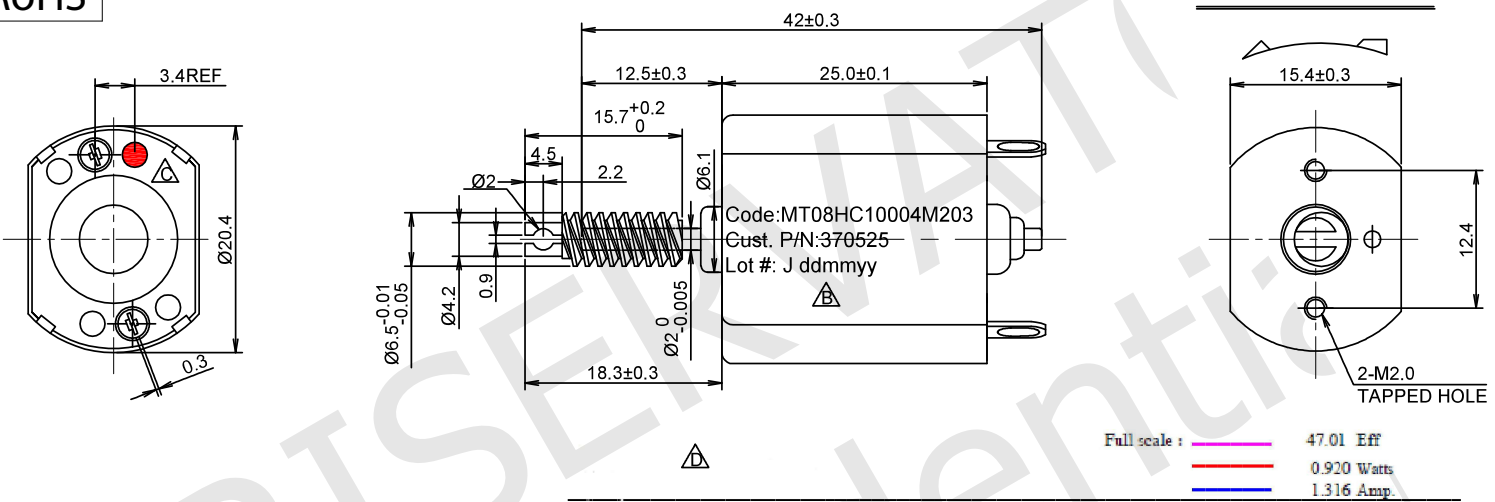


RoHS

DIRECTION OF ROTATION

A
B
C
D
E



Performance (in an ambient temperature of 25-30 ° C)
Motor tested rapidly to prevent significant temperature rise.

At a constant voltage of : 4.80 Volts
Direction : CCW

At No Load

- Speed : 8300 rpm
- Current : 0.130 Amps

At stall (Extrapolated)

- Torque : 59.3 g.cm
- Current : 1.316 Amps

At maximum efficiency

- Efficiency : 47.01 %
- Torque : 14.18 g.cm
- Speed : 6315 rpm
- Current : 0.414 Amps
- Output : 0.920 Watts

At maximum Power output

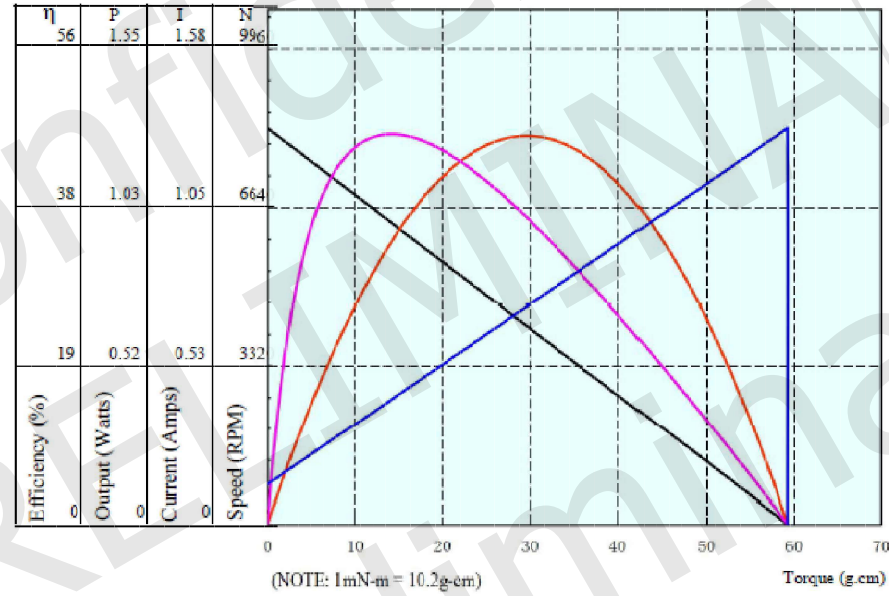
- Output : 1.288 Watts
- Torque : 29.6 g.cm
- Speed : 4150 rpm
- Current : 0.72 Amps

Characteristics

- Torque constant : 50.000 g.cm/Amp
- E.M.F. constant : 50.000 mV/rad/sec
- Dynamic resistance : 3.6482 Ohms
- Motor regulation : 140.00 rpm/g.cm

MOTOR SPECIFICATIONS

RATED VOLTAGE	4.8 V DC
OPERATING VOLTAGE RANGE	3.0-6.0 V DC
STARTING VOLTAGE	2.0V DC
NO LOAD CURRENT	0.17 A MAX
RATED LOAD CURRENT	0.38 A MAX
RATED POWER	
RATED TORQUE	
PEAK TORQUE	
RATED LOAD SPEED	6900±15% RPM
NOLOAD SPEED	8300±15% RPM
INSULATION CLASS	
IP CODE	
DIELECTRIC STRENGTH	
INSULATION RESISTANCE	1 Mohm min AT 100V DC
LINE TO LINE RESISTANCE	
LINE TO LINE INDUCTANCE	
ROTOR INERTIA	
BACK EMF	
OPERATING TEMPERATURE	
STORAGE TEMPERATURE	-20°C----+60°C
WEIGHT	30 g
RATED LOAD	10 G.CM
SHAFT END PLAY	0.05-0.5mm



LABELS (None)

UNIT: mm	DESIGN	Stm02116-00d
UNLESS OTHERWISE SPECIFIED TOLERANCES	CHECK	
DIMENSIONS : ±0.3 mm DEGREES : ±5%	APPROVED	
ORTHOGRAPHIC PROJECTION	DATE	05 / 01 / 2022

MT08HC10004M203
DC BRUSHED MOTOR SPECIFICATION

REV	00a - First release as samples.
	00b - Printed the label directly on motor.
	00c - Correct the marker position of positive pole.
	00d - Fixed the graph image.

