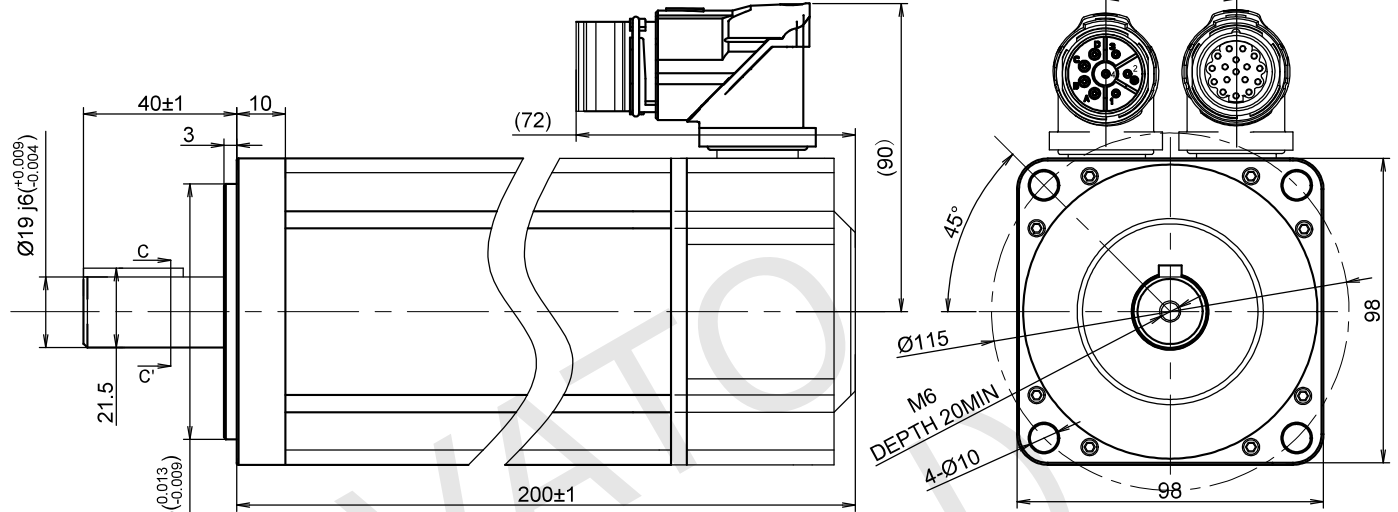
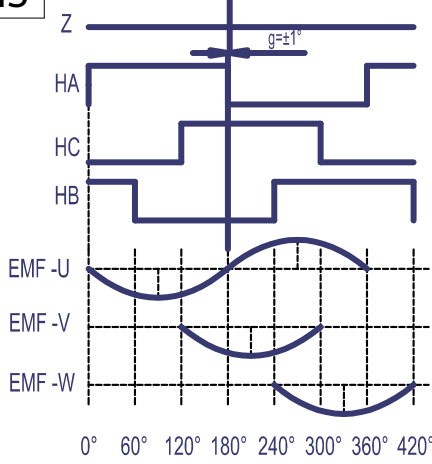


RoHS

CW FROM FRONT SHAFT VIEW



BRAKE SPECIFICATIONS

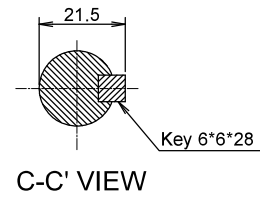
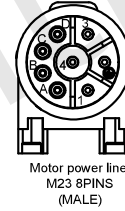
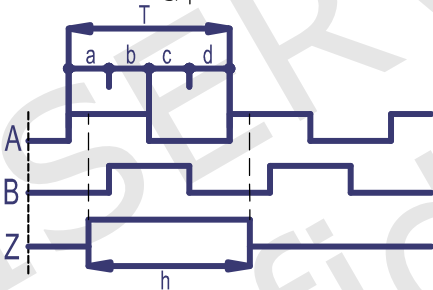
RATED VOLTAGE	24±10% Vdc
RATED POWER	16.4W±7%
HOLDING TORQUE	8.2N.m (20°C)

ENCODER SPECIFICATIONS

ENCODER TYPE	Incremental encoder
POWER SUPPLY	5.00 Vdc
RESOLUTION	2500 ppr
OUTPUT TYPE	Line Driver

MOTOR SPECIFICATIONS

POLES	8
RATED VOLTAGE	200 ~ 250 Vac
RATED POWER	1100 W
RATED CURRENT	4.50 A
PEAK CURRENT	20.70 A
RATED TORQUE	3.50 Nm
PEAK TORQUE	16.00 Nm
RESISTANCE	1.93 ohm ±10% at 20°C
INDUCTANCE	10.1 mH ±20% at 20°C
BACK EMF CONSTANT	55 Vrms/Krpm at 20°C
TORQUE CONSTANT	0.78 Nm /A
RATED SPEED	3000 rpm ±10%
PEAK SPEED	--- rpm ±10%
INSULATION CLASS	Class F, 155°C
ROTOR INERTIA	2680 g.cm ²
WEIGHT	5500 g. approx
IP CODE	IP65



WIRING DIAGRAM

Motor power line:

PIN NO.	A	B	C	D	1	2	3	4
Signal	BK+	BK-	---	---	U	GND	V	W

Motor signal line:

PIN NO.	1	2	3	4	5	6	7	8	9	10	11	12	13	14	15	16	17
Signal	+5 VDC	GND	A	A/	B	B/	Z	Z/	---	---	Hall HA+	---	Hall HB+	---	Hall HC+	---	---

UNIT: mm
 UNLESS OTHERWISE SPECIFIED TOLERANCES
 DIMENSIONS : ±0.3 mm DEGREES : ±5%
 ORTHOGRAPHIC PROJECTION

SPECIFICATION	Stm02975-00a
DESIGNER	Ever China
CHECK	Mario Bianchi
APPROVED	Matteo Caldi
DATE	17 / 07 / 2024

DRAWING NOT TO SCALE

REV	00a - First release.

LABELS

Code : BA39HA1102E0B0F
 Cust. P/N:
 Voltage: 230 Vac Power: 1100W
 Rated speed: 3000 rpm Lot #:
 Rated torque: 3.50 Nm Made in China
 Connect to driver only, see manual for details.

(15)

YYWWXXXXX (25 x 8)
 Stator barcode label

(40)

BA39HA1102E0B0F
 AC BRUSHLESS MOTOR SPECIFICATION

