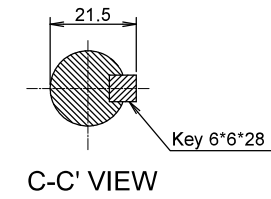
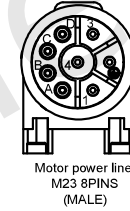
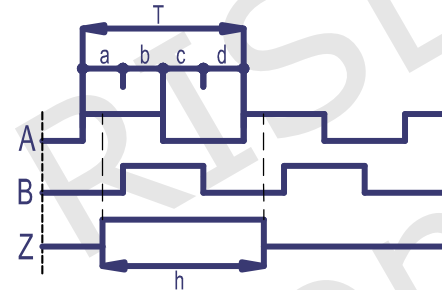
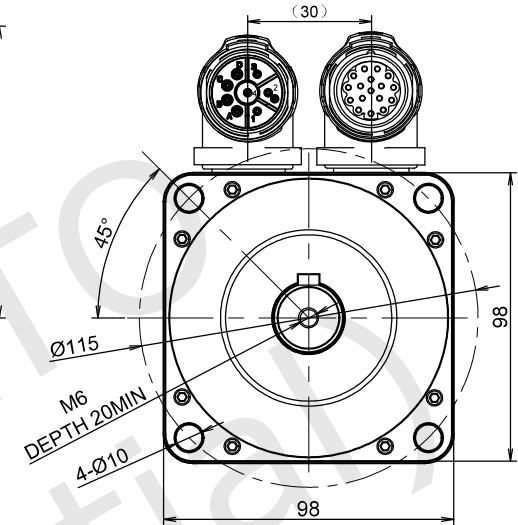
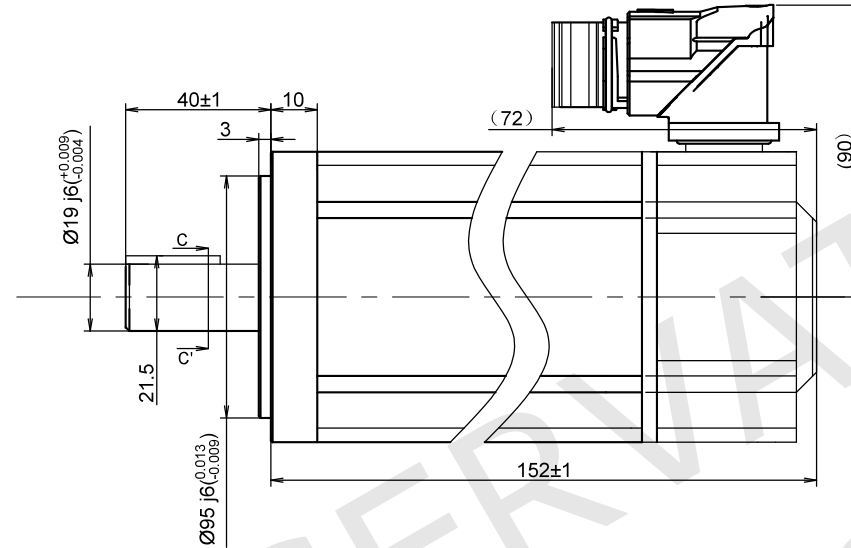
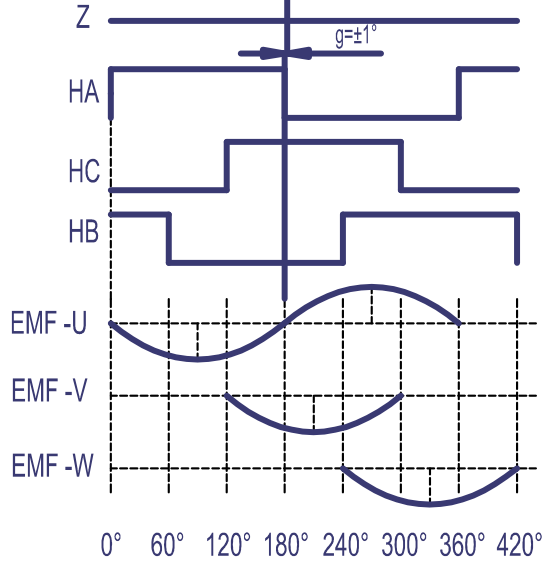


RoHS

CW FROM FRONT SHAFT VIEW



ENCODER SPECIFICATIONS	
ENCODER TYPE	Incremental encoder
POWER SUPPLY	5.00 Vdc
RESOLUTION	2500 ppr
OUTPUT TYPE	Line Driver

MOTOR SPECIFICATIONS	
POLES	8
RATED VOLTAGE	200 ~ 250 Vac
RATED POWER	1100 W
RATED CURRENT	4.50 A
PEAK CURRENT	20.70 A
RATED TORQUE	3.50 Nm
PEAK TORQUE	16.00 Nm
RESISTANCE	1.93 ohm ±10% at 20°C
INDUCTANCE	10.1 mH ±20% at 20°C
BACK EMF CONSTANT	55 Vrms/Krpm at 20°C
TORQUE CONSTANT	0.78 Nm /A
RATED SPEED	3000 rpm ±10%
PEAK SPEED	--- rpm ±10%
INSULATION CLASS	Class F, 155°C
ROTOR INERTIA	2420 g.cm ²
WEIGHT	4500 g. approx
IP CODE	IP65

WIRING DIAGRAM	
Motor power line:	
PIN NO.	A B C D 1 2 3 4
Signal	--- --- --- --- U GND V W

Motor signal line:	
PIN NO.	1 2 3 4 5 6 7 8 9 10 11 12 13 14 15 16 17
Signal	+5 VDC GND A A/ B B/ Z Z/ --- --- Hall HA+ --- Hall HB+ --- Hall HC+ ---

UNIT: mm	SPECIFICATION	Stm02974-00a
UNLESS OTHERWISE SPECIFIED TOLERANCES	DESIGNER	Ever China
DIMENSIONS : ±0.3 mm DEGREES : ±5%	CHECK	Mario Bianchi
ORTHOGRAPHIC PROJECTION	APPROVED	Matteo Caldi
DRAWING NOT TO SCALE	DATE	17 / 07 / 2024

LABELS

Code : BA39HA1102E0B00
Cust. P/N:

Voltage: 230 Vac Power: 1100W
Rated speed: 3000 rpm Lot #: Made in China
Rated torque: 3.50 Nm
Connect to driver only, see manual for details.

(40)

YYWWXXXXX (25 x 8)
Stator barcode label

BA39HA1102E0B00
AC BRUSHLESS MOTOR SPECIFICATION

the clever drive

www.everelettronica.it Mod. 8.2-5 Rev.00