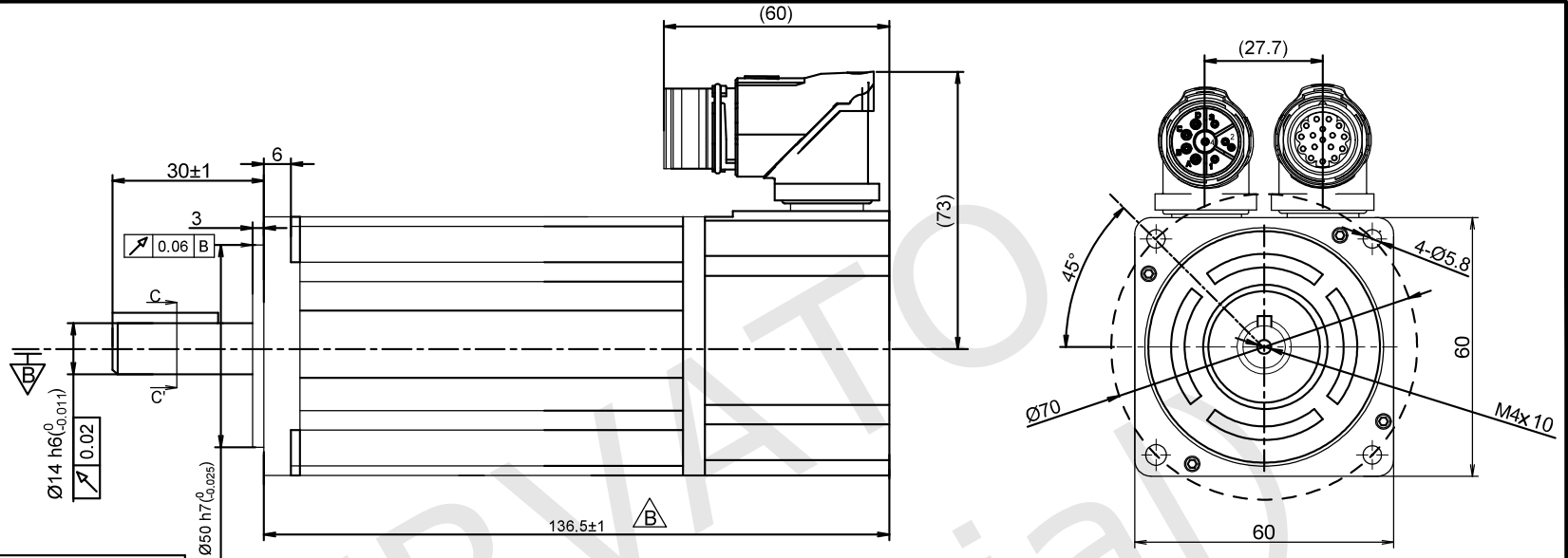


RoHS



BRAKE SPECIFICATIONS	
RATED VOLTAGE	24±10% Vdc
RATED POWER	
HOLDING TORQUE	1.5 N.m

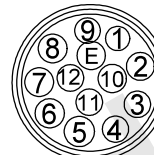
ENCODER SPECIFICATIONS	
ENCODER TYPE	Absolute multiturn
POWER SUPPLY	5.00 Vdc
SINGLE TURN RESOLUTION	24 bits
MULTITURN RESOLUTION	12 bits
OUTPUT TYPE	BiSS- C

MOTOR SPECIFICATIONS	
POLES	10

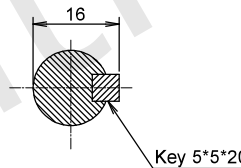
RATED VOLTAGE	200 ~ 250 Vac
RATED CURRENT	2.60 A
PEAK CURRENT	7.70 A
RATED POWER	400 W
RATED TORQUE	1.27 Nm
PEAK TORQUE	3.81 Nm
RESISTANCE	4.20 ohm ±10% at 20°C
INDUCTANCE	6.80 mH ±20% at 20°C
BACK EMF CONSTANT	35 Vrms/Krpm at 20°C
TORQUE CONSTANT	0.49 Nm/A
RATED SPEED	3000 rpm ±10%
PEAK SPEED	6000 rpm ±10%
INSULATION CLASS	Class F, 155°C
ROTOR INERTIA	520 g.cm ²
WEIGHT	2000 g. approx
IP CODE	IP65



Motor power line:
M23 8PINS
(MALE)



Motor signal line:
M23 12PINS
(MALE)



C-C' VIEW

Motor power line:

PIN NO.	A	B	C	D	1	2	3	4
Signal	Brake+	Brake-	---	---	U	PE	V	W

Motor signal line:

PIN NO.	1	2	3	4	5	6	7	8	9	10	11	12
Signal	5V	0V	DATA+	DATA-	CLOCK+	CLOCK-	SENSOR 5V	SENSOR 0V	---	---	---	---

WIRING DIAGRAM

UNIT: mm
UNLESS OTHERWISE SPECIFIED TOLERANCES
DIMENSIONS : ±0.3 mm DEGREES : ±5%
ORTHOGRAPHIC PROJECTION

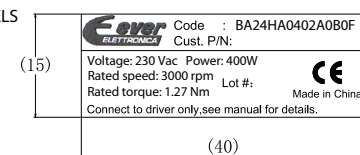
DESIGN	Stm02772-00c
CHECK	
APPROVED	Matteo C. -10 / 11 / 2023
DATE	06 / 11 / 2023

DRAWING NOT TO SCALE

REV

- 00a - First release.
- 00b - Change the motor structure.
- 00c - Add some electrical parameters.

LABELS



(40)
YYWWXXXXX (25 x 8)
Stator barcode label

BA24HA0402A0B0F
AC BRUSHLESS MOTOR SPECIFICATION



www.everelettronica.it