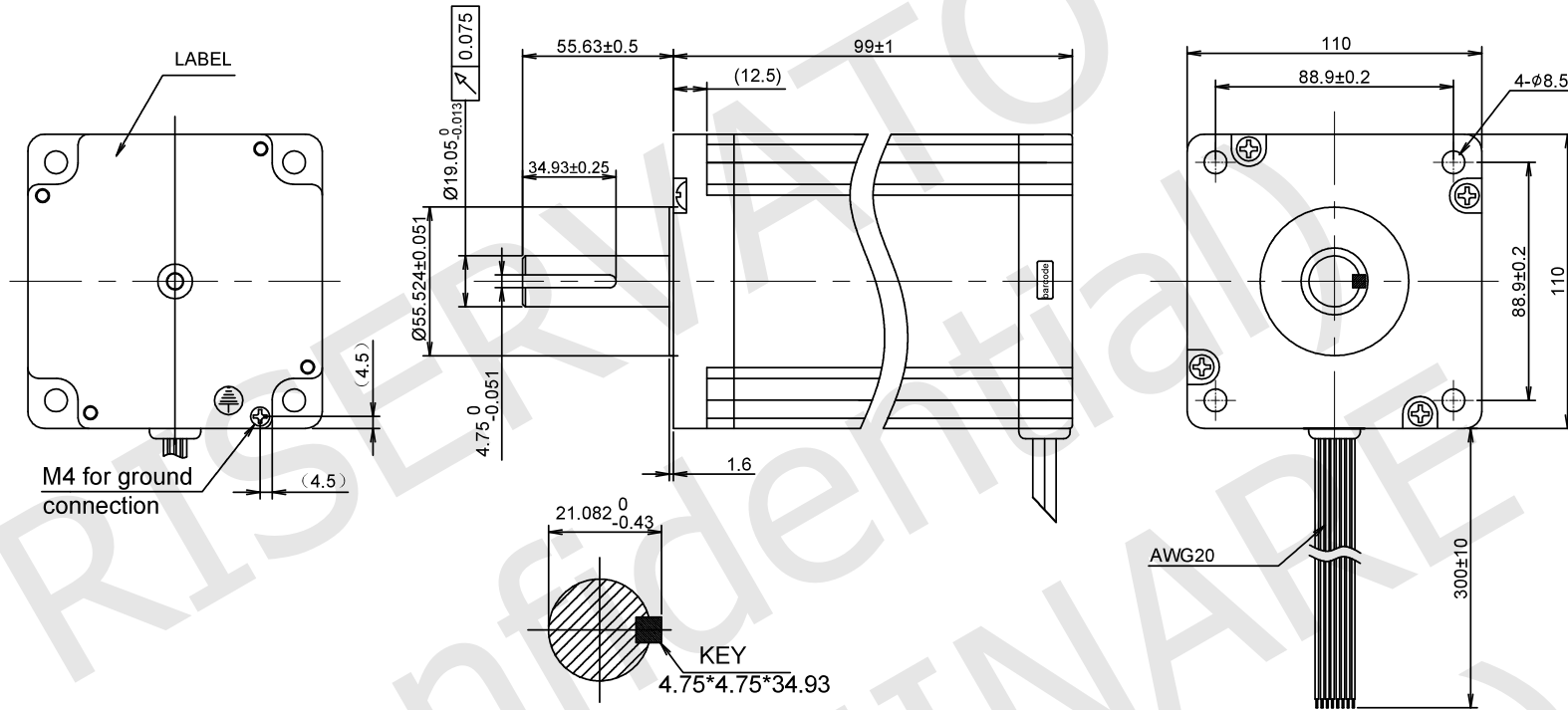
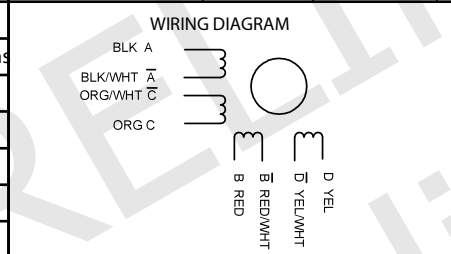
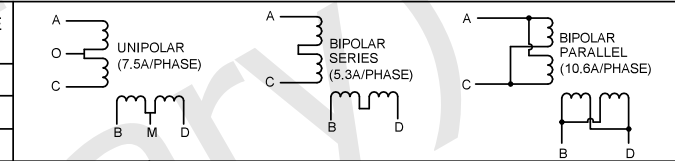


RoHS



MOTOR SPECIFICATIONS	
STEP ANGLE	1.8° ±5%
RATED CURRENT	7.50 Amps/Ph
HOLDING TORQUE	12.000 Nm Min.
RESISTANCE	0.487 ohm ±0.1 at 25°C
INDUCTANCE	2.700 mH ±20% at 1kHz, 1Vrms
ROTOR INERTIA	5600 g.cm ²
INSULATION CLASS	Class F, 155°C
DIELECTRIC STRENGTH	1500 Vac 1 minute
IP CODE	IP40
PULL OUT TORQUE	---
BACK EMF	---
DETENT TORQUE	---
WEIGHT	5300 g. approx
TEMPERATURE RISE	105K Max.
OPERATING TEMPERATURE	-20°C ~ +50°C
STORAGE TEMPERATURE	-20°C ~ +70°C
SHAFT AXIAL LOAD	100 N
SHAFT RADIAL LOAD	360 N (ON THE SHAFT END)

CONNECTION MODE	RESISTANCE (ohm)	INDUCTANCE (mH)	RATE CURRENT (A)	HOLDING TORQUE N.m
UNIPOLAR	0.487	2.7	7.5	9.5
SERIES BIPOAR	0.975	10.8	5.3	12.0
PARALLEL BIPOAR	0.243	2.7	10.6	12.0



EXCITING SEQUENCE (TWO PHASES) VS. DIRECTION OF ROTATION				
STEP	A	B	\bar{A}	\bar{B}
1	+	+	-	-
2	-	+	+	-
3	-	-	+	+
4	+	-	-	+

CLOCK WISE VIEW FROM MOUNTING SIDE

LABELS

YYWWXXXX (25 x 8)
Stator barcode label

Ever ELETTRONICA the clever drive
High efficiency stepping motor
Bipolar Torque 12.0 Nm
1.8°/Step
Rated current 7.5 A/ph DC
MT42HE39075M8K
Lot. #: www.everelettronica.it
Made in China
(78)

UNIT: mm	DESIGN	Stm01373-02b
UNLESS OTHERWISE SPECIFIED TOLERANCES	CHECK	
DIMENSIONS : ±0.3 mm DEGREES : ±5%	APPROVED	
ORTHOGRAPHIC PROJECTION	DATE	16 / 11 / 2022

MT42HE39075M8K
STEPPING MOTOR SPECIFICATION

REV	DESCRIPTION
02a	First release with new drawing layout.
02b	Correct the electrical parameters.

Ever ELETTRONICA the clever drive
www.everelettronica.it