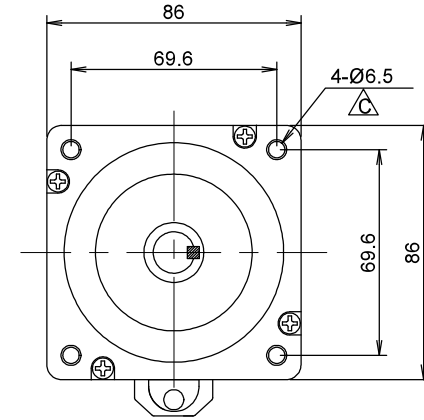
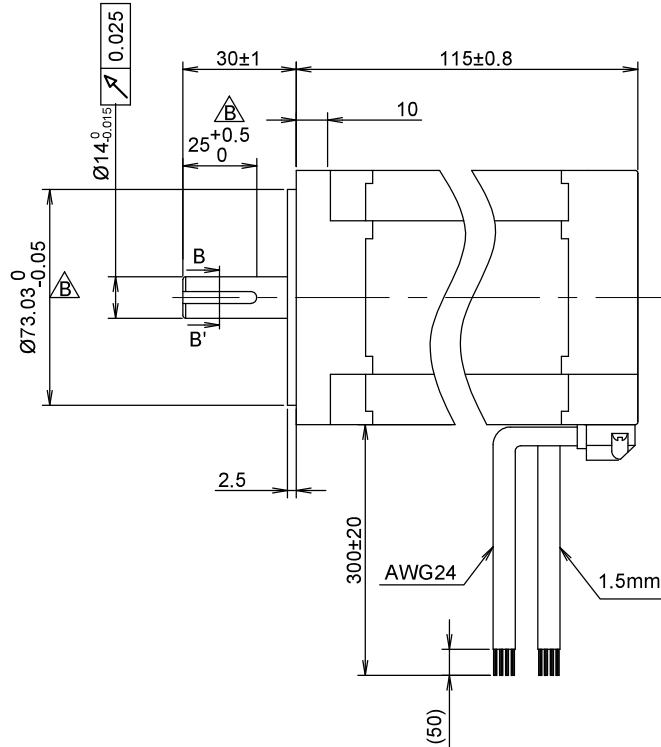
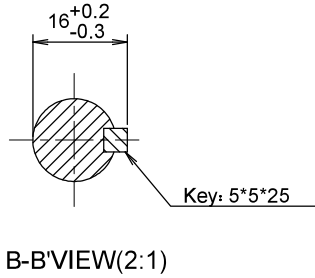
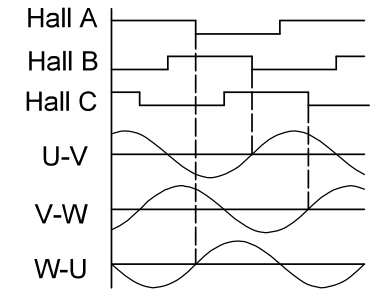


RoHS



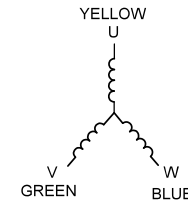
CW FROM THE FRONT SHAFT



MOTOR SPECIFICATIONS	
RATED VOLTAGE	48 Vdc
PHASES	3
POLES	8
RATED CURRENT	14.7 A
PEAK CURRENT	44.1 A
RATED POWER	660 W
RATED TORQUE	2.10 Nm
PEAK TORQUE	6.30 Nm
RATED SPEED	3000 rpm ±10%
NO LOAD SPEED	3500 rpm ±10%
INSULATION CLASS	CLASS B, 130°C
IP CODE	IP20
DIELECTIC STRENGTH	500 Vac., 1 min.
INSULATION RESISTANCE	100 Mohm min.
LINE TO LINE RESISTANCE	0.12 ohm ±10%
LINE TO LINE INDUCTANCE	0.29 mH ±20%
ROTOR INERTIA	2660 g.cm ²
BACK EMF CONSTANT	9.7 Vrms/Krpm
TORQUE CONSTANT	0.14 Nm/A
OPERATING TEMPERATURE	-20°C ~ +40°C
STORAGE TEMPERATURE	-10°C ~ +35°C
WEIGHT	3800 g.
MAX SHAFT AXIAL LOAD	60 N
MAX SHAFT RADIAL LOAD	220 N

WIRING DIAGRAM

	Phase U	PhaseV	Phas W	Hall +	Hall GND
Motor leadwire	Yellow	Green	Blue		
Signal wire	Yellow (HA)	Green (HB)	Blue (HC)	Red	Black



LABELS

(15)

(40)

UNIT: mm	DESIGN	Stm01693-00c
UNLESS OTHERWISE SPECIFIED TOLERANCES	CHECK	
DIMENSIONS : ±0.3 mm DEGREES : ±5%	APPROVED	
DRAWING NOT TO SCALE	DATE	06 /02 / 2023
REV	00a - First release.	
	00b - Changed some parameters.	
	00c - Changed some parameters.	

MT34HB4H660M302
STEPPING MOTOR SPECIFICATION



www.everelettronica.it