

RoHS

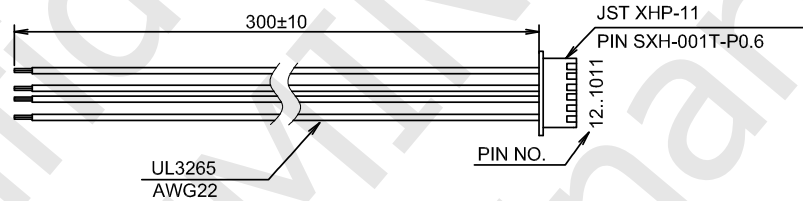
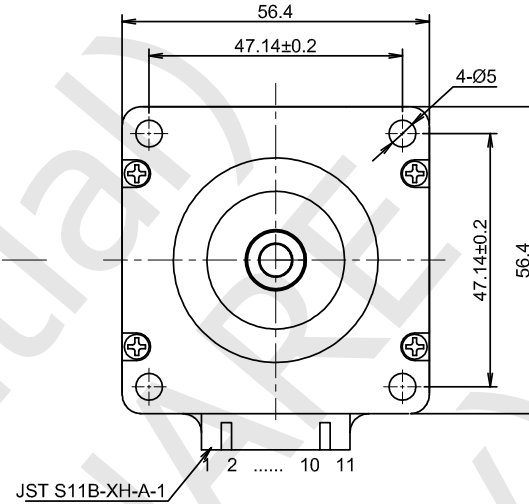
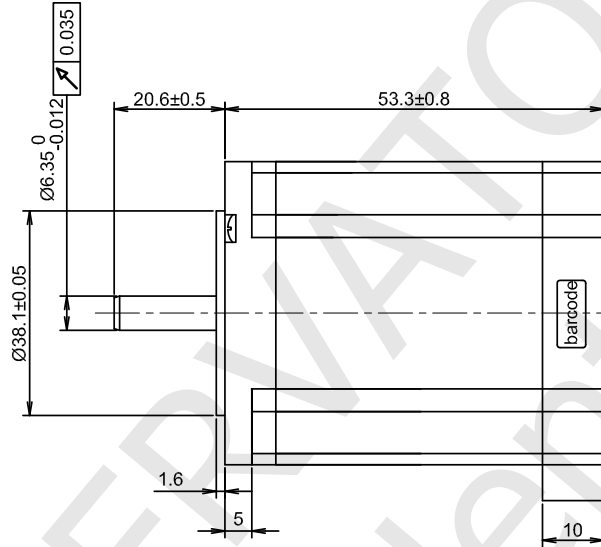
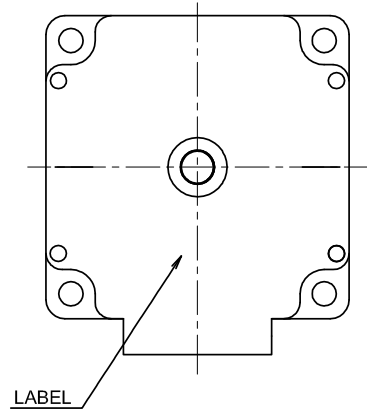
A

B

C

D

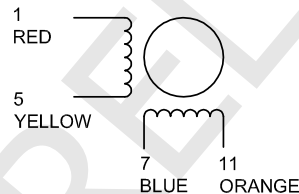
E



ELECTRICAL PARAMETERS

STEP ANGLE	1.8°±5%
NUMBER OF PHASES	2
RATED VOLTAGE	5.10 V
RATED CURRENT	1.50 Amps/PHASE
RESISTANCE	3.40 ohm±10% AT 25°C
INDUCTANCE	9.20 mH±20% AT 1kHz, 1Vrms
CONNECTION	BIPOLAR
HOLDING TORQUE	1.00 N.m MIN.
DIELECTRIC STRENGTH	500V A.C 1MINUTE
INSULATION RESISTANCE	100 MΩ MIN.
INSULATION CLASS	CLASS B (130°C)
TEMPERATURE RISE	80K MAX.
MOTOR ROTOR INERTIA	286g.cm ²
SHAFT THRUST LOAD	15N
SHAFT RADIAL LOAD	75N (ON THE SHAFT END)
AMBIENT TEMPERATURE	-20°C----+50°C
WEIGHT	700g
IP PROTECTION	IP 20

LEAD WIRE CONNECTION



CUSTOMER'S SIGNATURE

EXCITING SEQUENCE (TWO PHASES) VS. DIRECTION OF ROTATION

STEP	A	B	\bar{A}	\bar{B}
1	+	+	-	-
2	-	+	+	-
3	-	-	+	+
4	+	-	-	+

CLOCK WISE VIEW FROM MOUNTING SIDE

DRAWING

Strm01680-00a

REV

00a 21-09-2018

TOLERANCE

±0.3

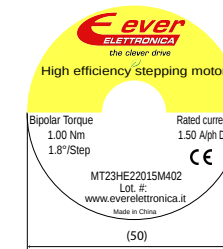
UNIT

mm

SCALE

2:1

LABELS



YYWWXXXXX
Stator barcode label
(25 x 8)

MT23HE22015M402
STEPPING MOTOR SPECIFICATION

