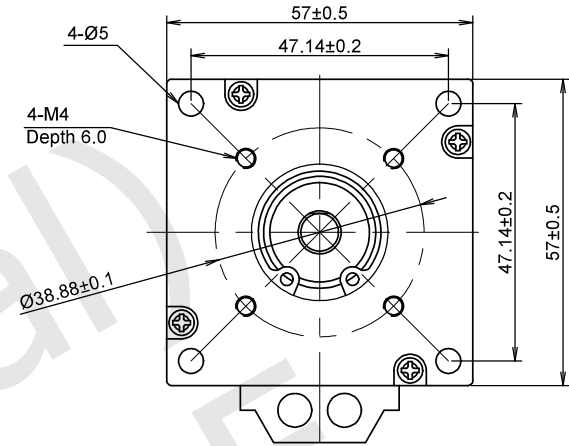
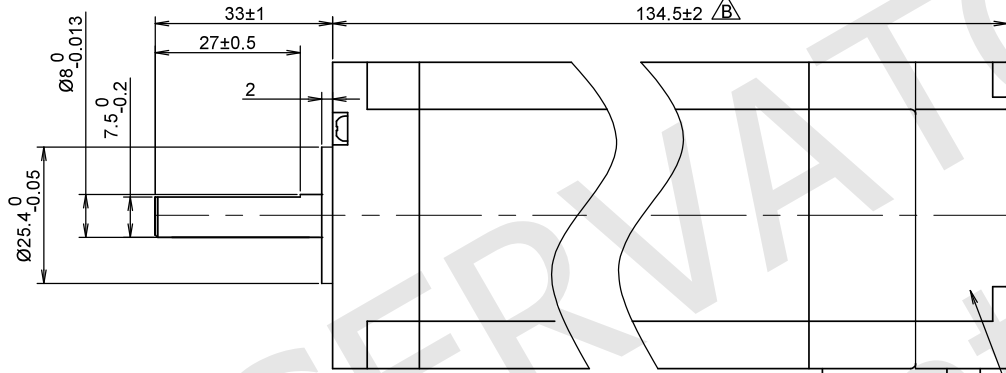


RoHS

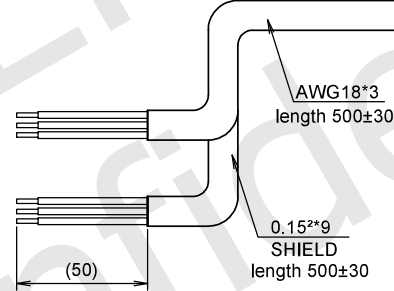


ENCODER SPECIFICATIONS

ENCODER TYPE	Incremental
POWER SUPPLY	5 Vdc
RESOLUTION	1000cpr
OUTPUT TYPE	Line Driver

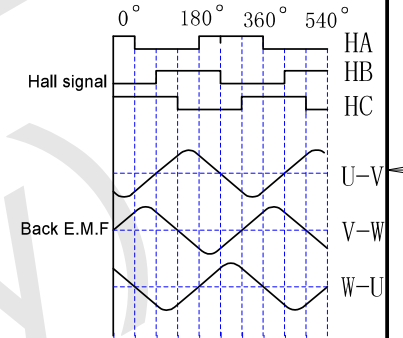
MOTOR SPECIFICATIONS

APPLIED VOLTAGE	36 Vdc
PHASES	3
POLES	8
OUTPUT POWER	188 W
RATED CURRENT	7.50 A ±1.0
PEAK CURRENT	19.0 A
RATED TORQUE	0.60 Nm
PEAK TORQUE	1.50 Nm
RATED SPEED	3000 rpm ±10%
NO LOAD SPEED	4400 rpm ±10%
BACK EMF	5.70 Vrms/Krpm ±10%
ROTOR INERTIA	460 g.cm ²
TEMPERATURE RISE	80K max
TORQUE CONSTANT	0.08 Nm/A



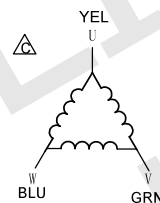
ENCODER resolution: 1000CPR

CCW from shaft side

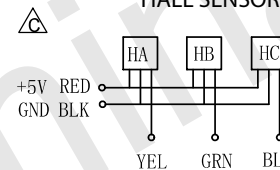


WIRING DIAGRAM

MOTOR	
YEL	U
RED	V
BLK	W



ENCODER	
Encoder Connection	
GRY	A+
ORG	A-
WHT	B+
BRN	B-



LABELS

Code : MT23HB3H188E301
Cust. P/N:
Voltage: 36 Vdc. Power: 188W
Rated speed: 3000 rpm
Rated torque: 0.6 Nm Lot #: Made in China
Connect to driver only, see manual for details.

YYWWXXXXX (25 x 8)

Stator barcode label

LINE TO LINE RESISTANCE	0.53 ohm ±10% at 20°C
LINE TO LINE INDUCTANCE	0.58 mH ±20% at 1kHz, 1Vrms
DIELECTRIC STRENGTH	---
INSULATION RESISTANCE	---
INSULATION CLASS	Class B, 130°C
OPERATING TEMPERATURE	-20°C ~ +50°C
WEIGHT	2000 g. approx
IP CODE	IP40

UNIT: mm
UNLESS OTHERWISE SPECIFIED TOLERANCES
DIMENSIONS : ±0.3 mm DEGREES : ±5%
ORTHOGRAPHIC PROJECTION

DESIGN	Stm02008-00c
CHECK	
APPROVED	
DATE	18 / 04 / 2023

REV

- 00a - Description
- 00b - Modified the motor length and changed the encoder lead wires colours.
- 00c - Modified the lead wires colours and some electrical parameters.

MT23HB3H188E301
DC BRUSHLESS MOTOR SPECIFICATION



www.everelettronica.it