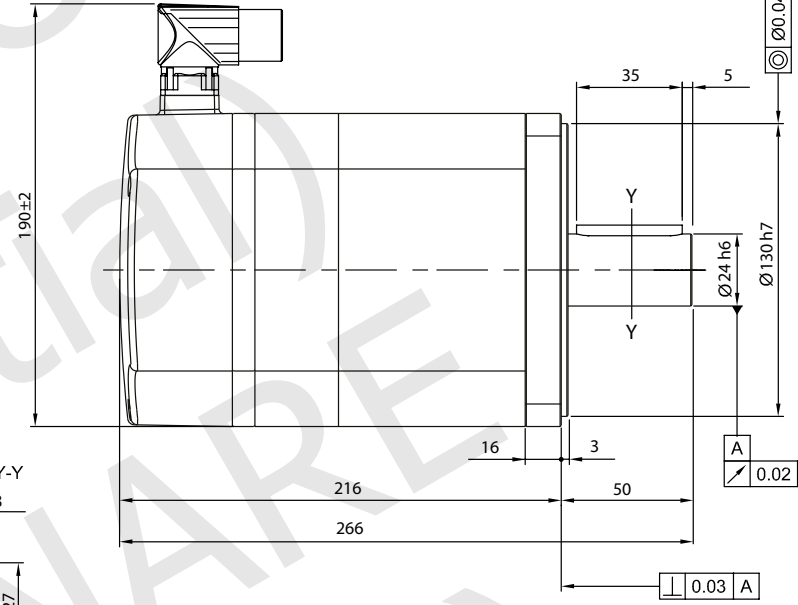
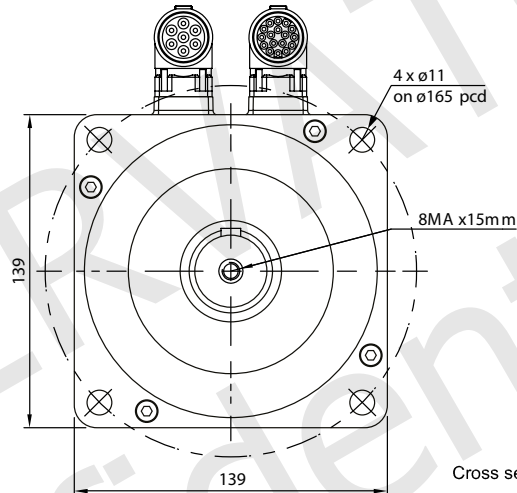
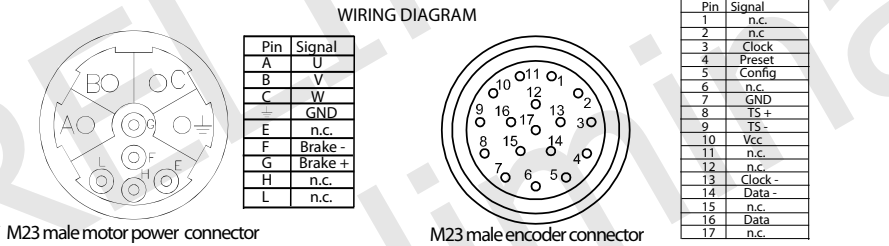


RoHS



BRAKE SPECIFICATIONS	
RATED VOLTAGE	24 Vdc
RATED CURRENT	1.00 A
HOLDING TORQUE	18.00 Nm
MAX SPEED	10000 rpm
MOMENT OF INERTIA	1.60 Kg.m ² x10 ⁻⁴
ENCODER SPECIFICATIONS	
ENCODER TYPE	Absolute multiturn
SINGLE TURN RESOLUTION	17 bits
MULTITURN RESOLUTION	16 bits
POWER SUPPLY	5 Vdc
OUTPUT	BISS-C
MOTOR SPECIFICATIONS	
POLE PAIRS	5
APPLIED VOLTAGE	230 Vac
RATED POWER	1400 W
STALL TORQUE	6.00 Nm
STALL CURRENT	6.80 A
RATED TORQUE	4.50 Nm
RATED CURRENT	5.20 Arms
PEAK TORQUE	18.00 Nm
PEAK CURRENT	20.5 Arms
RATED SPEED	3000 rpm
MAX SPEED	4000 rpm
TORQUE CONSTANT	0.87 Nm/Arms ±5%
VOLTAGE CONSTANT	49.50 Vrms/Krpm ±5%
LINE TO LINE RESISTANCE	0.70 ohm ±5%
LINE TO LINE INDUCTANCE	7.8 mH
ROTOR INERTIA	6.1 Kg.m ² *10 ⁻⁴
AMBIENT TEMPERATURE	+0°C ~ +40°C
WEIGHT	5.5 Kg.
PROTECTION	IP65
INSULATION CLASS	Class F, 155°
MAX RADIAL LOAD	1200 N
MAX AXIAL LOAD	500 N



LABELS

BA55SA1402A0B0F

AC BRUSHLESS MOTOR SPECIFICATION

UNIT: mm	DESIGN	Stm02204-02a
UNLESS OTHERWISE SPECIFIED TOLERANCES	CHECK	
DIMENSIONS : ±0.3 mm DEGREES : ±5%	APPROVED	
DRAWING NOT TO SCALE	DATE	05 / 12 / 2022
REV	00a - First release.	
	01a - Fix the resistance and inductance values.	
	02a - Fix the dimension of the key on front shaft.	

BA55SA1402A0B0F

AC BRUSHLESS MOTOR SPECIFICATION

Ever
ELETRONICA
the clever drive
www.everelettronica.it